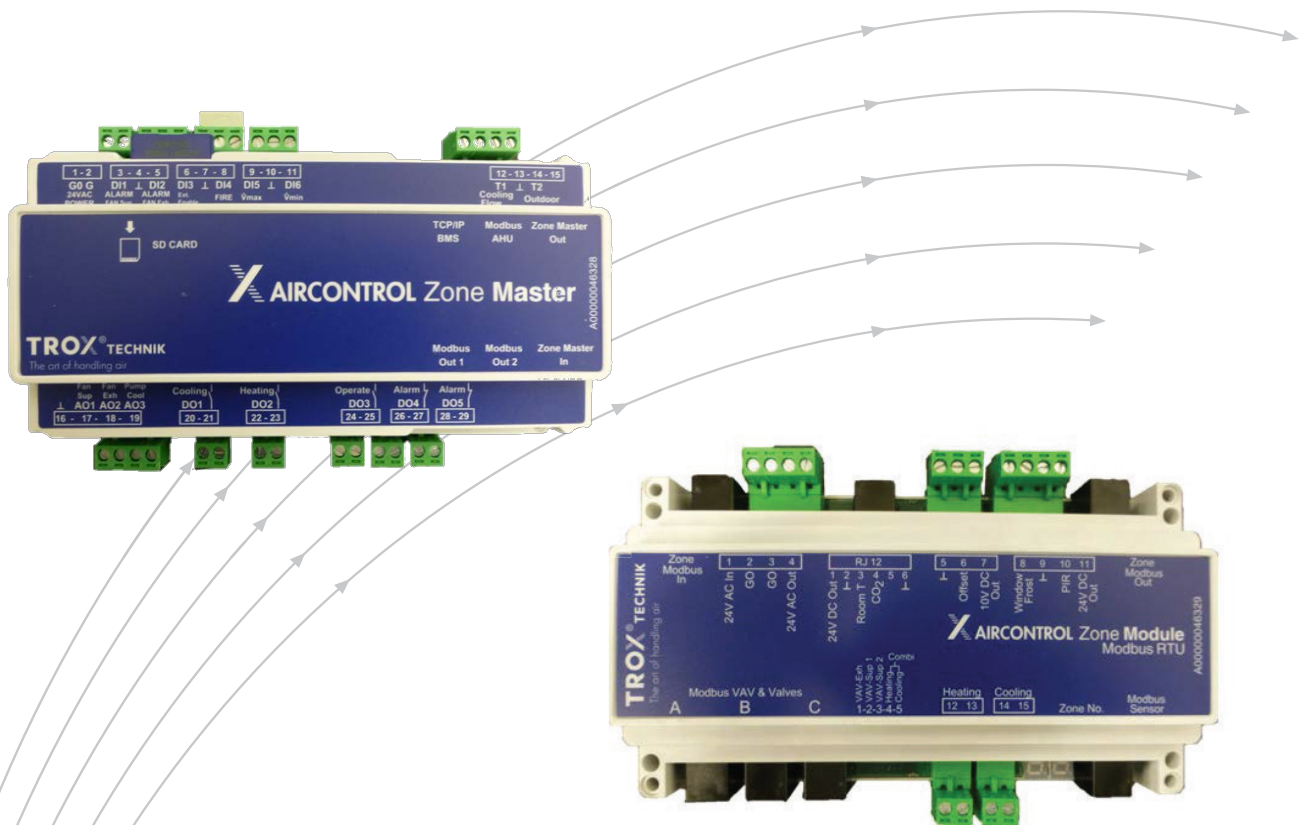


BACnet Protocol

The intelligent solution for VAV Zone control
X-AIRCONTROL



TROX[®] TECHNIK

Auranor

TROX Auranor Norge AS

Postboks 100
2712 Brandbu

Telefon +47 61 31 35 00
Telefaks+47 61 31 35 10
e-post: firmapost@auranor.no
www.trox.no

X-AIRCONTROL Master Controller

1 x RJ45 TCP/IP for BACnet/IP connection to BMS system

Fig. 1 X-AIRCONTROL Master, RJ45 BACnet TCP/IP BMS

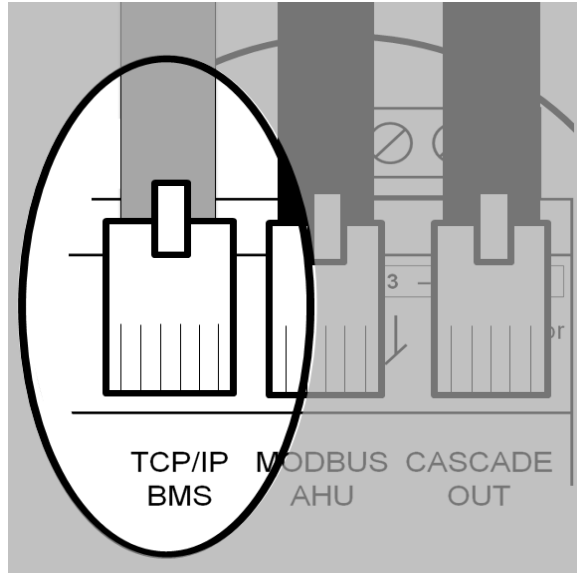
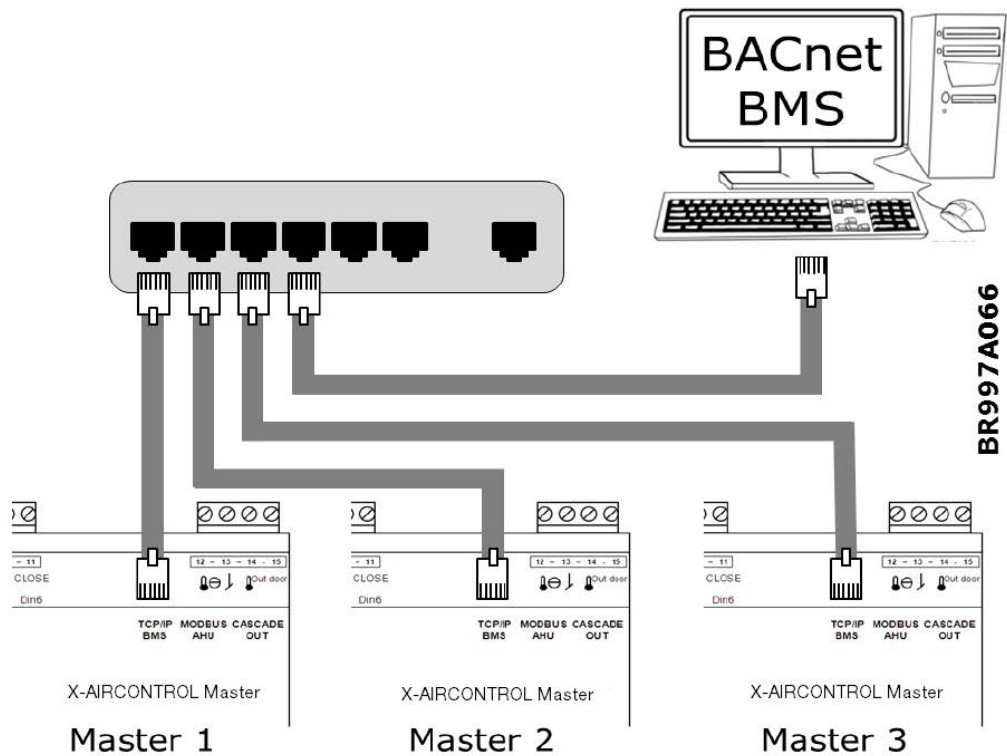


Fig. 2 Multiple X-AIRCONTROL Master in a BACnet TCP / IP BMS system



BACnet
X-AIRCONTROL Master, Program version 1.00 and future versions

Overview

With the integrated BACnet TCP / IP protocol, it is possible to control, manage and monitor an X-AIRCONTROL system from a BMS system.
BACnet functionality is implemented in X-AIRCONTROL Master with software version 1.00 or higher
X-AIRCONTROL Master is a BACnet Application Specific Controller (B-ASC)
Supported Data Link Layer Options: BACnet IP
Further information regarding BACnet as eg X-AIRCONTROL Master PICS and EDE data may be obtained and downloaded at www.trox.no

Communication

TCP/IP: 1 piece 10/100Mbit Ethernet, RJ45 plug

Object Identifier:

Object_Identifier is automatically set to the last 5 digits of X-AIRCONTROL Master's IP address

Example: IP-address = 172.21.0.95 Object Identifier = 95
 IP-address = 155.37.0.216 Object Identifier = 216
 IP-address = 155.37.35.123 Object Identifier = 35123
 IP-address = 132.65.124.103 Object Identifier = 24103
 IP-address = 172.20.211.47 Object Identifier = 11047
 IP-address = 155.37.111.123 Object Identifier = 11123
 IP-address = 168.25.111.1 Object Identifier = 11001

Max. 300 values can be entered to COV (Change Of Value)

BACnet Interoperability Building Blocks Supported

Data Sharing	DS-RP-B	Data Sharing-Read Property-B
Data sharing	DS-WP-B	Data Sharing-Write Property-B
Device Management	DM-DDB-B	Device Management-Dynamic Device Binding-B
Device Management	DM-DOB-B	Device Management-Dynamic Object Binding-B
Device Management	DM-DCC-B	Device Management-Dynamic Communication Control-B

Standard Object Types Supported

Object type	Properties
Analog Input	Object_Identifier, Object_Name, Object_Type, Present_Value, Status_Flags, Event_State, Out_Of_Service, Units, Min_Pres_Value, Max_Pres_Value, Resolution, Reliability, COV_Increment
Analog Value	Object_Identifier, Object_Name, Object_Type, Present_Value, Status_Flags, Event_State, Out_Of_Service, Units, Priority_Array, Relinquish_Default, COV_Increment.
Binary Input	Object_Identifier, Object_Name, Object_Type, Present_Value, Status_Flags, Event_State, Out_Of_Service, Polarity.
Binary Value	Object_Identifier, Object_Name, Object_Type, Present_Value, Status_Flags, Event_State, Out_Of_Service, Priority_Array, Relinquish_Default.
Device	Object_Identifier, Object_Name, Object_Type, System_Status, Vendor_Name, Vendor_Identifier, Model_Name, Firmware_Revision, Application_Software_Version, Location, Description, Protocol_Version, Protocol_Revision, Protocol_Services_Supported, Protocol_Object_Types_Supported, Object_list, Max_APDU_Length_Accepted, Segmentation_Supported, APDU_Timeout, Number_Of_APDU_Retries, Device_Address_Binding, Database_Revision.

Binary Value (R/W)

NAME (Binary Value)	UNIT	Object		MIN	MAX	REMARKS
		Instance				
Automatic Daylight Saving Time		0		0	1	Automatic summer/winter time Yes/No
Summer/Winter Compensation Enable		100		0	1	Summer/winter compensation (Yes/No)

Binary Input (R)

NAME (Binary Input)	UNIT	Object Instance	MIN	MAX	REMARKS
AHU Heating Pump State		100	0	1	Circulationpump, heatsupply
Section PIR Status		300	0	1	PIR state; Min. 1 X-AIRCONTROL is activated through the PIR sensor
Section Frost Protection Status		301	0	1	Frost state; Min. 1 frost thermostat in X-AIRCONTROL is activated [Frostalarm]
ZoneModule 1 - Window/Frost Value		1000	0	1	State on input "Window/Frost" - Zone 1 * Is the input configured as window contact, the window is closed when state is "1" * Is the input configured as frost thermostat, then frostalarm is activ when state is "0"
ZoneModule 1 - PIR Active Flag		1001	0	1	PIR movement sensor activated - Zone 1
ZoneModule 1 - Room Temp Sensor Short Circuit Flag		1002	0	1	Roomtemperatur sensor short circuit - Zone 1
ZoneModule 1 - Supply Temp Sensor Short Circuit Flag		1003	0	1	Supply temperature sensor short circuit - Zone 1
ZoneModule 2 - Window/Frost Value		1100	0	1	State on input "Window/Frost" - Zone 2 * Is the input configured as window contact, the window is closed when state is "1" * Is the input configured as frost thermostat, then frostalarm is activ when state is "0"
ZoneModule 2 - PIR Active Flag		1101	0	1	PIR movement sensor activated - Zone 2
ZoneModule 2 - Room Temp Sensor Short Circuit Flag		1102	0	1	Roomtemperatur sensor short circuit - Zone 2
ZoneModule 2 - Supply Temp Sensor Short Circuit Flag		1103	0	1	Supply temperature sensor short circuit - Zone 2
ZoneModule 3 - Window/Frost Value		1200	0	1	State on input "Window/Frost" - Zone 3 * Is the input configured as window contact, the window is closed when state is "1" * Is the input configured as frost thermostat, then frostalarm is activ when state is "0"
ZoneModule 3 - PIR Active Flag		1201	0	1	PIR movement sensor activated - Zone 3
ZoneModule 3 - Room Temp Sensor Short Circuit Flag		1202	0	1	Roomtemperatur sensor short circuit - Zone 3
ZoneModule 3 - Supply Temp Sensor Short Circuit Flag		1203	0	1	Supply temperature sensor short circuit - Zone 3
ZoneModule 4 - Window/Frost Value		1300	0	1	State on input "Window/Frost" - Zone 4 * Is the input configured as window contact, the window is closed when state is "1" * Is the input configured as frost thermostat, then frostalarm is activ when state is "0"
ZoneModule 4 - PIR Active Flag		1301	0	1	PIR movement sensor activated - Zone 4
ZoneModule 4 - Room Temp Sensor Short Circuit Flag		1302	0	1	Roomtemperatur sensor short circuit - Zone 4
ZoneModule 4 - Supply Temp Sensor Short Circuit Flag		1303	0	1	Supply temperature sensor short circuit - Zone 4
ZoneModule 5 - Window/Frost Value		1400	0	1	State on input "Window/Frost" - Zone 5 * Is the input configured as window contact, the window is closed when state is "1" * Is the input configured as frost thermostat, then frostalarm is activ when state is "0"
ZoneModule 5 - PIR Active Flag		1401	0	1	PIR movement sensor activated - Zone 5
ZoneModule 5 - Room Temp Sensor Short Circuit Flag		1402	0	1	Roomtemperatur sensor short circuit - Zone 5
ZoneModule 5 - Supply Temp Sensor Short Circuit Flag		1403	0	1	Supply temperature sensor short circuit - Zone 5
ZoneModule 6 - Window/Frost Value		1500	0	1	State on input "Window/Frost" - Zone 6 * Is the input configured as window contact, the window is closed when state is "1" * Is the input configured as frost thermostat, then frostalarm is activ when state is "0"
ZoneModule 6 - PIR Active Flag		1501	0	1	PIR movement sensor activated - Zone 6
ZoneModule 6 - Room Temp Sensor Short Circuit Flag		1502	0	1	Roomtemperatur sensor short circuit - Zone 6
ZoneModule 6 - Supply Temp Sensor Short Circuit Flag		1503	0	1	Supply temperature sensor short circuit - Zone 6
ZoneModule 7 - Window/Frost Value		1600	0	1	State on input "Window/Frost" - Zone 7 * Is the input configured as window contact, the window is closed when state is "1" * Is the input configured as frost thermostat, then frostalarm is activ when state is "0"
ZoneModule 7 - PIR Active Flag		1601	0	1	PIR movement sensor activated - Zone 7
ZoneModule 7 - Room Temp Sensor Short Circuit Flag		1602	0	1	Roomtemperatur sensor short circuit - Zone 7
ZoneModule 7 - Supply Temp Sensor Short Circuit Flag		1603	0	1	Supply temperature sensor short circuit - Zone 7

NAVN (Binary Input)	ENHED	Object Instance	MIN	MAX	BEMÆRKNINGER
ZoneModule 8 - Window/Frost Value		1700	0	1	State on input "Window/Frost" - Zone 8 * Is the input configured as window contact, the window is closed when state is "1" * Is the input configured as frost thermostat, then frostalarm is activ when state is "0"
ZoneModule 8 - PIR Active Flag		1701	0	1	PIR movement sensor activated - Zone 8
ZoneModule 8 - Room Temp Sensor Short Circuit Flag		1702	0	1	Roomtemperatur sensor short circuit - Zone 8
ZoneModule 8 - Supply Temp Sensor Short Circuit Flag		1703	0	1	Supply temperature sensor short circuit - Zone 8
ZoneModule 9 - Window/Frost Value		1800	0	1	State on input "Window/Frost" - Zone 9 * Is the input configured as window contact, the window is closed when state is "1" * Is the input configured as frost thermostat, then frostalarm is activ when state is "0"
ZoneModule 9 - PIR Active Flag		1801	0	1	PIR movement sensor activated - Zone 9
ZoneModule 9 - Room Temp Sensor Short Circuit Flag		1802	0	1	Roomtemperatur sensor short circuit - Zone 9
ZoneModule 9 - Supply Temp Sensor Short Circuit Flag		1803	0	1	Supply temperature sensor short circuit - Zone 9
ZoneModule 10 - Window/Frost Value		1900	0	1	State on input "Window/Frost" - Zone 10 * Is the input configured as window contact, the window is closed when state is "1" * Is the input configured as frost thermostat, then frostalarm is activ when state is "0"
ZoneModule 10 - PIR Active Flag		1901	0	1	PIR movement sensor activated - Zone 10
ZoneModule 10 - Room Temp Sensor Short Circuit Flag		1902	0	1	Roomtemperatur sensor short circuit - Zone 10
ZoneModule 10 - Supply Temp Sensor Short Circuit Flag		1903	0	1	Supply temperature sensor short circuit - Zone 10
ZoneModule 11 - Window/Frost Value		2000	0	1	State on input "Window/Frost" - Zone 11 * Is the input configured as window contact, the window is closed when state is "1" * Is the input configured as frost thermostat, then frostalarm is activ when state is "0"
ZoneModule 11 - PIR Active Flag		2001	0	1	PIR movement sensor activated - Zone 11
ZoneModule 11 - Room Temp Sensor Short Circuit Flag		2002	0	1	Roomtemperatur sensor short circuit - Zone 11
ZoneModule 11 - Supply Temp Sensor Short Circuit Flag		2003	0	1	Supply temperature sensor short circuit - Zone 11
ZoneModule 12 - Window/Frost Value		2100	0	1	State on input "Window/Frost" - Zone 12 * Is the input configured as window contact, the window is closed when state is "1" * Is the input configured as frost thermostat, then frostalarm is activ when state is "0"
ZoneModule 12 - PIR Active Flag		2101	0	1	PIR movement sensor activated - Zone 12
ZoneModule 12 - Room Temp Sensor Short Circuit Flag		2102	0	1	Roomtemperatur sensor short circuit - Zone 12
ZoneModule 12 - Supply Temp Sensor Short Circuit Flag		2103	0	1	Supply temperature sensor short circuit - Zone 12
ZoneModule 13 - Window/Frost Value		2200	0	1	State on input "Window/Frost" - Zone 13 * Is the input configured as window contact, the window is closed when state is "1" * Is the input configured as frost thermostat, then frostalarm is activ when state is "0"
ZoneModule 13 - PIR Active Flag		2201	0	1	PIR movement sensor activated - Zone 13
ZoneModule 13 - Room Temp Sensor Short Circuit Flag		2202	0	1	Roomtemperatur sensor short circuit - Zone 13
ZoneModule 13 - Supply Temp Sensor Short Circuit Flag		2203	0	1	Supply temperature sensor short circuit - Zone 13
ZoneModule 14 - Window/Frost Value		2300	0	1	State on input "Window/Frost" - Zone 14 * Is the input configured as window contact, the window is closed when state is "1" * Is the input configured as frost thermostat, then frostalarm is activ when state is "0"
ZoneModule 14 - PIR Active Flag		2301	0	1	PIR movement sensor activated - Zone 14
ZoneModule 14 - Room Temp Sensor Short Circuit Flag		2302	0	1	Roomtemperatur sensor short circuit - Zone 14
ZoneModule 14 - Supply Temp Sensor Short Circuit Flag		2303	0	1	Supply temperature sensor short circuit - Zone 14
ZoneModule 15 - Window/Frost Value		2400	0	1	State on input "Window/Frost" - Zone 15 * Is the input configured as window contact, the window is closed when state is "1" * Is the input configured as frost thermostat, then frostalarm is activ when state is "0"
ZoneModule 15 - PIR Active Flag		2401	0	1	PIR movement sensor activated - Zone 15
ZoneModule 15 - Room Temp Sensor Short Circuit Flag		2402	0	1	Roomtemperatur sensor short circuit - Zone 15
ZoneModule 15 - Supply Temp Sensor Short Circuit Flag		2403	0	1	Supply temperature sensor short circuit - Zone 15
ZoneModule 16 - Window/Frost Value		2500	0	1	State on input "Window/Frost" - Zone 16 * Is the input configured as window contact, the window is closed when state is "1" * Is the input configured as frost thermostat, then frostalarm is activ when state is "0"
ZoneModule 16 - PIR Active Flag		2501	0	1	PIR movement sensor activated - Zone 16
ZoneModule 16 - Room Temp Sensor Short Circuit Flag		2502	0	1	Roomtemperatur sensor short circuit - Zone 16
ZoneModule 16 - Supply Temp Sensor Short Circuit Flag		2503	0	1	Supply temperature sensor short circuit - Zone 16

NAVN (Binary Input)	ENHED	Object Instance	MIN	MAX	BEMÆRKNINGER
ZoneModule 17 - Window/Frost Value		2600	0	1	State on input "Window/Frost" - Zone 17 * Is the input configured as window contact, the window is closed when state is "1" * Is the input configured as frost thermostat, then frostalarm is activ when state is "0"
ZoneModule 17 - PIR Active Flag		2601	0	1	PIR movement sensor activated - Zone 17
ZoneModule 17 - Room Temp Sensor Short Circuit Flag		2602	0	1	Roomtemperatur sensor short circuit - Zone 17
ZoneModule 17 - Supply Temp Sensor Short Circuit Flag		2603	0	1	Supply temperature sensor short circuit - Zone 17
ZoneModule 18 - Window/Frost Value		2700	0	1	State on input "Window/Frost" - Zone 17 * Is the input configured as window contact, the window is closed when state is "1" * Is the input configured as frost thermostat, then frostalarm is activ when state is "0"
ZoneModule 18 - PIR Active Flag		2701	0	1	PIR movement sensor activated - Zone 18
ZoneModule 18 - Room Temp Sensor Short Circuit Flag		2702	0	1	Roomtemperatur sensor short circuit - Zone 18
ZoneModule 18 - Supply Temp Sensor Short Circuit Flag		2703	0	1	Supply temperature sensor short circuit - Zone 18
ZoneModule 19 - Window/Frost Value		2800	0	1	State on input "Window/Frost" - Zone 19 * Is the input configured as window contact, the window is closed when state is "1" * Is the input configured as frost thermostat, then frostalarm is activ when state is "0"
ZoneModule 19 - PIR Active Flag		2801	0	1	PIR movement sensor activated - Zone 19
ZoneModule 19 - Room Temp Sensor Short Circuit Flag		2802	0	1	Roomtemperatur sensor short circuit - Zone 19
ZoneModule 19 - Supply Temp Sensor Short Circuit Flag		2803	0	1	Supply temperature sensor short circuit - Zone 19
ZoneModule 20 - Window/Frost Value		2900	0	1	State on input "Window/Frost" - Zone 20 * Is the input configured as window contact, the window is closed when state is "1" * Is the input configured as frost thermostat, then frostalarm is activ when state is "0"
ZoneModule 20 - PIR Active Flag		2901	0	1	PIR movement sensor activated - Zone 20
ZoneModule 20 - Room Temp Sensor Short Circuit Flag		2902	0	1	Roomtemperatur sensor short circuit - Zone 20
ZoneModule 20 - Supply Temp Sensor Short Circuit Flag		2903	0	1	Supply temperature sensor short circuit - Zone 20
ZoneModule 21 - Window/Frost Value		3000	0	1	State on input "Window/Frost" - Zone 21 * Is the input configured as window contact, the window is closed when state is "1" * Is the input configured as frost thermostat, then frostalarm is activ when state is "0"
ZoneModule 21 - PIR Active Flag		3001	0	1	PIR movement sensor activated - Zone 21
ZoneModule 21 - Room Temp Sensor Short Circuit Flag		3002	0	1	Roomtemperatur sensor short circuit - Zone 21
ZoneModule 21 - Supply Temp Sensor Short Circuit Flag		3003	0	1	Supply temperature sensor short circuit - Zone 21
ZoneModule 22 - Window/Frost Value		3100	0	1	State on input "Window/Frost" - Zone 22 * Is the input configured as window contact, the window is closed when state is "1" * Is the input configured as frost thermostat, then frostalarm is activ when state is "0"
ZoneModule 22 - PIR Active Flag		3101	0	1	PIR movement sensor activated - Zone 22
ZoneModule 22 - Room Temp Sensor Short Circuit Flag		3102	0	1	Roomtemperatur sensor short circuit - Zone 22
ZoneModule 22 - Supply Temp Sensor Short Circuit Flag		3103	0	1	Supply temperature sensor short circuit - Zone 22
ZoneModule 23 - Window/Frost Value		3200	0	1	State on input "Window/Frost" - Zone 23 * Is the input configured as window contact, the window is closed when state is "1" * Is the input configured as frost thermostat, then frostalarm is activ when state is "0"
ZoneModule 23 - PIR Active Flag		3201	0	1	PIR movement sensor activated - Zone 23
ZoneModule 23 - Room Temp Sensor Short Circuit Flag		3202	0	1	Roomtemperatur sensor short circuit - Zone 23
ZoneModule 23 - Supply Temp Sensor Short Circuit Flag		3203	0	1	Supply temperature sensor short circuit - Zone 23
ZoneModule 24 - Window/Frost Value		3300	0	1	State on input "Window/Frost" - Zone 24 * Is the input configured as window contact, the window is closed when state is "1" * Is the input configured as frost thermostat, then frostalarm is activ when state is "0"
ZoneModule 24 - PIR Active Flag		3301	0	1	PIR movement sensor activated - Zone 24
ZoneModule 24 - Room Temp Sensor Short Circuit Flag		3302	0	1	Roomtemperatur sensor short circuit - Zone 24
ZoneModule 24 - Supply Temp Sensor Short Circuit Flag		3303	0	1	Supply temperature sensor short circuit - Zone 24
ZoneModule 25 - Window/Frost Value		3400	0	1	State on input "Window/Frost" - Zone 25 * Is the input configured as window contact, the window is closed when state is "1" * Is the input configured as frost thermostat, then frostalarm is activ when state is "0"
ZoneModule 25 - PIR Active Flag		3401	0	1	PIR movement sensor activated - Zone 25
ZoneModule 25 - Room Temp Sensor Short Circuit Flag		3402	0	1	Roomtemperatur sensor short circuit - Zone 25
ZoneModule 25 - Supply Temp Sensor Short Circuit Flag		3403	0	1	Supply temperature sensor short circuit - Zone 25

Analog Input (R)

NAME (Analog Input)	UNIT	Object Instance	MIN	MAX	REMARKS
AHU Supply Fan Setpoint	%	100	0	10000	Actual supply motor signal setpoint [1/100%]
AHU Extract Fan Setpoint	%	101	0	10000	Actual extract motor signal setpoint [1/100%]
AHU Supply Air Temp Setpoint	°C	102	-4000	10000	Actual supplytemperature, calculated setpoint [1/100%]
AHU Cooling Pump Setpoint	%	103	0	10000	Actual coolingwater temperature, calculated setpoint [1/100%]
AHU status		104	0	3	Actual operation AHU: 0 = Normal 1 = Stop 2 = Summernight cooling 3 = Fire
AHU Supply Fan Alarm Status		105	0	1	Alarmstate; supply fan [1=Alarm]
AHU Extract Fan Alarm Status		106	0	1	Alarmstate; extract fan [1=Alarm]
AHU Cooling Water Temp Value	°C	107	-4000	10000	Actual coolingwater temperature [1/100%]
AHU Combined Outdoor Temp Value	°C	108	-4000	10000	Actual outdoor temperature [1/100°C]
Section Zone Master Alarm Status		109	0	2	Alarmstate; X-AIRCONTROL Master [0=no alarm; 1=B-Alarm; 2=A-alarm]
Section Zone Module Alarm Status		110	0	2	Alarmstate; X-AIRCONTROL Moduler [0=no alarm; 1=B-Alarm; 2=A-alarm]
Zone Master Operation Mode		111	0	7	Actual operation; X-AIRCONTROL Master: 0 = Normal 1 = Standby 2 = Night reduction 3 = Summer night cooling 4 = Max. airflow 5 = Min. airflow 6 = Firemode - dampers open. fans running 7 = Firemode - dampers closed. Fans stopped
Actual Summer/Winter Compensation		112	-20000	20000	Actual status summer / winter compensation [1/100°C]
Number Of Zonemodules		300	0	25	Number of connected X-AIRCONTROL Zone Modules
Section Supply Fan Max Damper Pos	%	301	0	10000	Opening position of the VAV supply damper in the section, which is most %-open [1/100%]
Section Extract Fan Max Damper Pos	%	302	0	10000	Opening position of the VAV extract damper in the section, which is most %-open [1/100%]
Section Heat Valve Max Valve Pos	%	303	0	10000	Opening position of the heating valve in the section, which is most %-open [1/100%]
Section Cool Valve Max Valve Pos	%	304	0	10000	Opening position of the cooling valve in the section, which is most %-open [1/100%]
Section Minimum Temperature Setpoint	°C	305	-4000	10000	Actual min. supplytemperature [1/100°C]
ZoneModule 1 - Status		1000	0	2	Actual state X-AIRCONTROL ZoneModule 1: 0 = Normal 1 = B-alarm 2 = A-alarm
ZoneModule 1 - VAV Supply 1 Actuator Setpoint	%	1001	0	10000	X-AIRCONTROL Zone Module no. 1; Actual damper position; supply VAV damper no. 1 [1/100%]
ZoneModule 1 - VAV Supply 1 Flow	m3/h	1002	0	32767	X-AIRCONTROL Zone Module no. 1; Actual air volume; supply VAV damper no. 1 [m3/h]
ZoneModule 1 - VAV Supply 2 Actuator Setpoint	%	1003	0	10000	X-AIRCONTROL Zone Module no. 1; Actual damper position; supply VAV damper no. 2 [1/100%]
ZoneModule 1 - VAV Supply 2 Flow	m3/h	1004	0	32767	X-AIRCONTROL Zone Module no. 1; Actual air volume; supply VAV damper no. 2 [m3/h]
ZoneModule 1 - VAV Extract Actuator Setpoint	%	1005	0	10000	X-AIRCONTROL Zone Module no. 1; Actual damper position; extract VAV damper [1/100%]
ZoneModule 1 - VAV Extract Flow	m3/h	1006	0	32767	X-AIRCONTROL Zone Module no. 1; Actual air volume; extract VAV damper [m3/h]
ZoneModule 1 - Heating Actuator Setpoint	%	1007	0	10000	X-AIRCONTROL Zone Module no. 1; Actual opening heating valve [1/100%]
ZoneModule 1 - Cooling Actuator setpoint	%	1008	0	10000	X-AIRCONTROL Zone Module no. 1; Actual opening cooling valve [1/100%]
ZoneModule 1 - Room Temperature Actual Value	°C	1009	-4000	10000	X-AIRCONTROL Zone Module no. 1; Actual roomtemperature [1/100°C]
ZoneModule 1 - Supply Temperature Actual Value	°C	1010	-4000	10000	X-AIRCONTROL Zone Module no. 1; Actualsupply temperature [1/100°C]
ZoneModule 1 - Remote Setpoint Offset Actual Value	°C	1011	-4000	10000	X-AIRCONTROL Zone Module no. 1; Actual temperature offset [1/100°C]
ZoneModule 1 - CO2/VOC Actual Value	ppm	1012	0	5000	X-AIRCONTROL Zone Module no. 1; Actual CO2/VOC level [ppm]
ZoneModule 1 - RH Actual Value	%	1013	0	10000	X-AIRCONTROL Zone Module no. 1; Actual relative humididy level [%rh]
ZoneModule 1 - Room Temperature Actual Setpoint	°C	1014	-4000	10000	X-AIRCONTROL Zone Module no. 1; Actual calculated setpoint, roomtemperature [1/100°C]

NAME (Analog Input)	UNIT	Object Instance	MIN	MAX	REMARKS
ZoneModule 2 - Status		1100	0	2	Actual state X-AIRCONTROL Zone Module 2: 0 = Normal 1 = B-alarm 2 = A-alarm
ZoneModule 2 - VAV Supply 1 Actuator Setpoint	%	1101	0	10000	X-AIRCONTROL Zone Module no. 2; Actual damper position; supply VAV damper no. 1 [1/100%]
ZoneModule 2 - VAV Supply 1 Flow	m3/h	1102	0	32767	X-AIRCONTROL Zone Module no. 2; Actual air volume; supply VAV damper no. 1 [m3/h]
ZoneModule 2 - VAV Supply 2 Actuator Setpoint	%	1103	0	10000	X-AIRCONTROL Zone Module no. 2; Actual damper position; supply VAV damper no. 2 [1/100%]
ZoneModule 2 - VAV Supply 2 Flow	m3/h	1104	0	32767	X-AIRCONTROL Zone Module no. 2; Actual air volume; supply VAV damper no. 2 [m3/h]
ZoneModule 2 - VAV Extract Actuator Setpoint	%	1105	0	10000	X-AIRCONTROL Zone Module no. 2; Actual damper position; extract VAV damper [1/100%]
ZoneModule 2 - VAV Extract Flow	m3/h	1106	0	32767	X-AIRCONTROL Zone Module no. 2; Actual air volume; extract VAV damper [m3/h]
ZoneModule 2 - Heating Actuator Setpoint	%	1107	0	10000	X-AIRCONTROL Zone Module no. 2; Actual opening heating valve [1/100%]
ZoneModule 2 - Cooling Actuator setpoint	%	1108	0	10000	X-AIRCONTROL Zone Module no. 2; Actual opening cooling valve [1/100%]
ZoneModule 2 - Room Temperature Actual Value	°C	1109	-4000	10000	X-AIRCONTROL Zone Module no. 2; Actual roomtemperature [1/100°C]
ZoneModule 2 - Supply Temperature Actual Value	°C	1110	-4000	10000	X-AIRCONTROL Zone Module no. 2; Actualsupply temperature [1/100°C]
ZoneModule 2 - Remote Setpoint Offset Actual Value	°C	1111	-4000	10000	X-AIRCONTROL Zone Module no. 2; Actual temperature offset [1/100°C]
ZoneModule 2 - CO2/VOC Actual Value	ppm	1112	0	5000	X-AIRCONTROL Zone Module no. 2; Actual CO2/VOC level [ppm]
ZoneModule 2 - RH Actual Value	%	1113	0	10000	X-AIRCONTROL Zone Module no. 2; Actual relative humidity level [%rh]
ZoneModule 2 - Room Temperature Actual Setpoint	°C	1114	-4000	10000	X-AIRCONTROL Zone Module no. 2; Actual calculated setpoint, roomtemperature [1/100°C]
ZoneModule 3 - Status		1200	0	2	Actual state X-AIRCONTROL Zone Module 3: 0 = Normal 1 = B-alarm 2 = A-alarm
ZoneModule 3 - VAV Supply 1 Actuator Setpoint	%	1201	0	10000	X-AIRCONTROL Zone Module no. 3; Actual damper position; supply VAV damper no. 1 [1/100%]
ZoneModule 3 - VAV Supply 1 Flow	m3/h	1202	0	32767	X-AIRCONTROL Zone Module no. 3; Actual air volume; supply VAV damper no. 1 [m3/h]
ZoneModule 3 - VAV Supply 2 Actuator Setpoint	%	1203	0	10000	X-AIRCONTROL Zone Module no. 3; Actual damper position; supply VAV damper no. 2 [1/100%]
ZoneModule 3 - VAV Supply 2 Flow	m3/h	1204	0	32767	X-AIRCONTROL Zone Module no. 3; Actual air volume; supply VAV damper no. 2 [m3/h]
ZoneModule 3 - VAV Extract Actuator Setpoint	%	1205	0	10000	X-AIRCONTROL Zone Module no. 3; Actual damper position; extract VAV damper [1/100%]
ZoneModule 3 - VAV Extract Flow	m3/h	1206	0	32767	X-AIRCONTROL Zone Module no. 3; Actual air volume; extract VAV damper [m3/h]
ZoneModule 3 - Heating Actuator Setpoint	%	1207	0	10000	X-AIRCONTROL Zone Module no. 3; Actual opening heating valve [1/100%]
ZoneModule 3 - Cooling Actuator setpoint	%	1208	0	10000	X-AIRCONTROL Zone Module no. 3; Actual opening cooling valve [1/100%]
ZoneModule 3 - Room Temperature Actual Value	°C	1209	-4000	10000	X-AIRCONTROL Zone Module no. 3; Actual roomtemperature [1/100°C]
ZoneModule 3 - Supply Temperature Actual Value	°C	1210	-4000	10000	X-AIRCONTROL Zone Module no. 3; Actualsupply temperature [1/100°C]
ZoneModule 3 - Remote Setpoint Offset Actual Value	°C	1211	-4000	10000	X-AIRCONTROL Zone Module no. 3; Actual temperature offset [1/100°C]
ZoneModule 3 - CO2/VOC Actual Value	ppm	1212	0	5000	X-AIRCONTROL Zone Module no. 3; Actual CO2/VOC level [ppm]
ZoneModule 3 - RH Actual Value	%	1213	0	10000	X-AIRCONTROL Zone Module no. 3; Actual relative humidity level [%rh]
ZoneModule 3 - Room Temperature Actual Setpoint	°C	1214	-4000	10000	X-AIRCONTROL Zone Module no. 3; Actual calculated setpoint, roomtemperature [1/100°C]
ZoneModule 4 - Status		1300	0	2	Actual state X-AIRCONTROL Zone Module 4: 0 = Normal 1 = B-alarm 2 = A-alarm
ZoneModule 4 - VAV Supply 1 Actuator Setpoint	%	1301	0	10000	X-AIRCONTROL Zone Module no. 4; Actual damper position; supply VAV damper no. 1 [1/100%]
ZoneModule 4 - VAV Supply 1 Flow	m3/h	1302	0	32767	X-AIRCONTROL Zone Module no. 4; Actual air volume; supply VAV damper no. 1 [m3/h]
ZoneModule 4 - VAV Supply 2 Actuator Setpoint	%	1303	0	10000	X-AIRCONTROL Zone Module no. 4; Actual damper position; supply VAV damper no. 2 [1/100%]
ZoneModule 4 - VAV Supply 2 Flow	m3/h	1304	0	32767	X-AIRCONTROL Zone Module no. 4; Actual air volume; supply VAV damper no. 2 [m3/h]
ZoneModule 4 - VAV Extract Actuator Setpoint	%	1305	0	10000	X-AIRCONTROL Zone Module no. 4; Actual damper position; extract VAV damper [1/100%]
ZoneModule 4 - VAV Extract Flow	m3/h	1306	0	32767	X-AIRCONTROL Zone Module no. 4; Actual air volume; extract VAV damper [m3/h]
ZoneModule 4 - Heating Actuator Setpoint	%	1307	0	10000	X-AIRCONTROL Zone Module no. 4; Actual opening heating valve [1/100%]
ZoneModule 4 - Cooling Actuator setpoint	%	1308	0	10000	X-AIRCONTROL Zone Module no. 4; Actual opening cooling valve [1/100%]
ZoneModule 4 - Room Temperature Actual Value	°C	1309	-4000	10000	X-AIRCONTROL Zone Module no. 4; Actual roomtemperature [1/100°C]
ZoneModule 4 - Supply Temperature Actual Value	°C	1310	-4000	10000	X-AIRCONTROL Zone Module no. 4; Actualsupply temperature [1/100°C]
ZoneModule 4 - Remote Setpoint Offset Actual Value	°C	1311	-4000	10000	X-AIRCONTROL Zone Module no. 4; Actual temperature offset [1/100°C]
ZoneModule 4 - CO2/VOC Actual Value	ppm	1312	0	5000	X-AIRCONTROL Zone Module no. 4; Actual CO2/VOC level [ppm]
ZoneModule 4 - RH Actual Value	%	1313	0	10000	X-AIRCONTROL Zone Module no. 4; Actual relative humidity level [%rh]
ZoneModule 4 - Room Temperature Actual Setpoint	°C	1314	-4000	10000	X-AIRCONTROL Zone Module no. 4; Actual calculated setpoint, roomtemperature [1/100°C]

NAME (Analog Input)	UNIT	Object Instance	MIN	MAX	REMARKS
ZoneModule 5 - Status		1400	0	2	Actual state X-AIRCONTROL Zone Module 5: 0 = Normal 1 = B-alarm 2 = A-alarm
ZoneModule 5 - VAV Supply 1 Actuator Setpoint	%	1401	0	10000	X-AIRCONTROL Zone Module no. 5; Actual damper position; supply VAV damper no. 1 [1/100%]
ZoneModule 5 - VAV Supply 1 Flow	m3/h	1402	0	32767	X-AIRCONTROL Zone Module no. 5; Actual air volume; supply VAV damper no. 1 [m3/h]
ZoneModule 5 - VAV Supply 2 Actuator Setpoint	%	1403	0	10000	X-AIRCONTROL Zone Module no. 5; Actual damper position; supply VAV damper no. 2 [1/100%]
ZoneModule 5 - VAV Supply 2 Flow	m3/h	1404	0	32767	X-AIRCONTROL Zone Module no. 5; Actual air volume; supply VAV damper no. 2 [m3/h]
ZoneModule 5 - VAV Extract Actuator Setpoint	%	1405	0	10000	X-AIRCONTROL Zone Module no. 5; Actual damper position; extract VAV damper [1/100%]
ZoneModule 5 - VAV Extract Flow	m3/h	1406	0	32767	X-AIRCONTROL Zone Module no. 5; Actual air volume; extract VAV damper [m3/h]
ZoneModule 5 - Heating Actuator Setpoint	%	1407	0	10000	X-AIRCONTROL Zone Module no. 5; Actual opening heating valve [1/100%]
ZoneModule 5 - Cooling Actuator setpoint	%	1408	0	10000	X-AIRCONTROL Zone Module no. 5; Actual opening cooling valve [1/100%]
ZoneModule 5 - Room Temperature Actual Value	°C	1409	-4000	10000	X-AIRCONTROL Zone Module no. 5; Actual roomtemperature [1/100°C]
ZoneModule 5 - Supply Temperature Actual Value	°C	1410	-4000	10000	X-AIRCONTROL Zone Module no. 5; Actualsupply temperature [1/100°C]
ZoneModule 5 - Remote Setpoint Offset Actual Value	°C	1411	-4000	10000	X-AIRCONTROL Zone Module no. 5; Actual temperature offset [1/100°C]
ZoneModule 5 - CO2/VOC Actual Value	ppm	1412	0	5000	X-AIRCONTROL Zone Module no. 5; Actual CO2/VOC level [ppm]
ZoneModule 5 - RH Actual Value	%	1413	0	10000	X-AIRCONTROL Zone Module no. 5; Actual relative humidity level [%rh]
ZoneModule 5 - Room Temperature Actual Setpoint	°C	1414	-4000	10000	X-AIRCONTROL Zone Module no. 5; Actual calculated setpoint, roomtemperature [1/100°C]
ZoneModule 6 - Status		1500	0	2	Actual state X-AIRCONTROL Zone Module no. 6: 0 = Normal 1 = B-alarm 2 = A-alarm
ZoneModule 6 - VAV Supply 1 Actuator Setpoint	%	1501	0	10000	X-AIRCONTROL Zone Module no. 6; Actual damper position; supply VAV damper no. 1 [1/100%]
ZoneModule 6 - VAV Supply 1 Flow	m3/h	1502	0	32767	X-AIRCONTROL Zone Module no. 6; Actual air volume; supply VAV damper no. 1 [m3/h]
ZoneModule 6 - VAV Supply 2 Actuator Setpoint	%	1503	0	10000	X-AIRCONTROL Zone Module no. 6; Actual damper position; supply VAV damper no. 2 [1/100%]
ZoneModule 6 - VAV Supply 2 Flow	m3/h	1504	0	32767	X-AIRCONTROL Zone Module no. 6; Actual air volume; supply VAV damper no. 2 [m3/h]
ZoneModule 6 - VAV Extract Actuator Setpoint	%	1505	0	10000	X-AIRCONTROL Zone Module no. 6; Actual damper position; extract VAV damper [1/100%]
ZoneModule 6 - VAV Extract Flow	m3/h	1506	0	32767	X-AIRCONTROL Zone Module no. 6; Actual air volume; extract VAV damper [m3/h]
ZoneModule 6 - Heating Actuator Setpoint	%	1507	0	10000	X-AIRCONTROL Zone Module no. 6; Actual opening heating valve [1/100%]
ZoneModule 6 - Cooling Actuator setpoint	%	1508	0	10000	X-AIRCONTROL Zone Module no. 6; Actual opening cooling valve [1/100%]
ZoneModule 6 - Room Temperature Actual Value	°C	1509	-4000	10000	X-AIRCONTROL Zone Module no. 6; Actual roomtemperature [1/100°C]
ZoneModule 6 - Supply Temperature Actual Value	°C	1510	-4000	10000	X-AIRCONTROL Zone Module no. 6; Actualsupply temperature [1/100°C]
ZoneModule 6 - Remote Setpoint Offset Actual Value	°C	1511	-4000	10000	X-AIRCONTROL Zone Module no. 6; Actual temperature offset [1/100°C]
ZoneModule 6 - CO2/VOC Actual Value	ppm	1512	0	5000	X-AIRCONTROL Zone Module no. 6; Actual CO2/VOC level [ppm]
ZoneModule 6 - RH Actual Value	%	1513	0	10000	X-AIRCONTROL Zone Module no. 6; Actual relative humidity level [%rh]
ZoneModule 6 - Room Temperature Actual Setpoint	°C	1514	-4000	10000	X-AIRCONTROL Zone Module no. 6; Actual calculated setpoint, roomtemperature [1/100°C]
ZoneModule 7 - Status		1600	0	2	Actual state X-AIRCONTROL Zone Module no. 7: 0 = Normal 1 = B-alarm 2 = A-alarm
ZoneModule 7 - VAV Supply 1 Actuator Setpoint	%	1601	0	10000	X-AIRCONTROL Zone Module no. 7; Actual damper position; supply VAV damper no. 1 [1/100%]
ZoneModule 7 - VAV Supply 1 Flow	m3/h	1602	0	32767	X-AIRCONTROL Zone Module no. 7; Actual air volume; supply VAV damper no. 1 [m3/h]
ZoneModule 7 - VAV Supply 2 Actuator Setpoint	%	1603	0	10000	X-AIRCONTROL Zone Module no. 7; Actual damper position; supply VAV damper no. 2 [1/100%]
ZoneModule 7 - VAV Supply 2 Flow	m3/h	1604	0	32767	X-AIRCONTROL Zone Module no. 7; Actual air volume; supply VAV damper no. 2 [m3/h]
ZoneModule 7 - VAV Extract Actuator Setpoint	%	1605	0	10000	X-AIRCONTROL Zone Module no. 7; Actual damper position; extract VAV damper [1/100%]
ZoneModule 7 - VAV Extract Flow	m3/h	1606	0	32767	X-AIRCONTROL Zone Module no. 7; Actual air volume; extract VAV damper [m3/h]
ZoneModule 7 - Heating Actuator Setpoint	%	1607	0	10000	X-AIRCONTROL Zone Module no. 7; Actual opening heating valve [1/100%]
ZoneModule 7 - Cooling Actuator setpoint	%	1608	0	10000	X-AIRCONTROL Zone Module no. 7; Actual opening cooling valve [1/100%]
ZoneModule 7 - Room Temperature Actual Value	°C	1609	-4000	10000	X-AIRCONTROL Zone Module no. 7; Actual roomtemperature [1/100°C]
ZoneModule 7 - Supply Temperature Actual Value	°C	1610	-4000	10000	X-AIRCONTROL Zone Module no. 7; Actualsupply temperature [1/100°C]
ZoneModule 7 - Remote Setpoint Offset Actual Value	°C	1611	-4000	10000	X-AIRCONTROL Zone Module no. 7; Actual temperature offset [1/100°C]
ZoneModule 7 - CO2/VOC Actual Value	ppm	1612	0	5000	X-AIRCONTROL Zone Module no. 7; Actual CO2/VOC level [ppm]
ZoneModule 7 - RH Actual Value	%	1613	0	10000	X-AIRCONTROL Zone Module no. 7; Actual relative humidity level [%rh]
ZoneModule 7 - Room Temperature Actual Setpoint	°C	1614	-4000	10000	X-AIRCONTROL Zone Module no. 7; Actual calculated setpoint, roomtemperature [1/100°C]

NAME (Analog Input)	UNIT	Object Instance	MIN	MAX	REMARKS
ZoneModule 8 - Status		1700	0	2	Actual state X-AIRCONTROL Zone Module no. 8: 0 = Normal 1 = B-alarm 2 = A-alarm
ZoneModule 8 - VAV Supply 1 Actuator Setpoint	%	1701	0	10000	X-AIRCONTROL Zone Module no. 8; Actual damper position; supply VAV damper no. 1 [1/100%]
ZoneModule 8 - VAV Supply 1 Flow	m3/h	1702	0	32767	X-AIRCONTROL Zone Module no. 8; Actual air volume; supply VAV damper no. 1 [m3/h]
ZoneModule 8 - VAV Supply 2 Actuator Setpoint	%	1703	0	10000	X-AIRCONTROL Zone Module no. 8; Actual damper position; supply VAV damper no. 2 [1/100%]
ZoneModule 8 - VAV Supply 2 Flow	m3/h	1704	0	32767	X-AIRCONTROL Zone Module no. 8; Actual air volume; supply VAV damper no. 2 [m3/h]
ZoneModule 8 - VAV Extract Actuator Setpoint	%	1705	0	10000	X-AIRCONTROL Zone Module no. 8; Actual damper position; extract VAV damper [1/100%]
ZoneModule 8 - VAV Extract Flow	m3/h	1706	0	32767	X-AIRCONTROL Zone Module no. 8; Actual air volume; extract VAV damper [m3/h]
ZoneModule 8 - Heating Actuator Setpoint	%	1707	0	10000	X-AIRCONTROL Zone Module no. 8; Actual opening heating valve [1/100%]
ZoneModule 8 - Cooling Actuator setpoint	%	1708	0	10000	X-AIRCONTROL Zone Module no. 8; Actual opening cooling valve [1/100%]
ZoneModule 8 - Room Temperature Actual Value	°C	1709	-4000	10000	X-AIRCONTROL Zone Module no. 8; Actual roomtemperature [1/100°C]
ZoneModule 8 - Supply Temperature Actual Value	°C	1710	-4000	10000	X-AIRCONTROL Zone Module no. 8; Actualsupply temperature [1/100°C]
ZoneModule 8 - Remote Setpoint Offset Actual Value	°C	1711	-4000	10000	X-AIRCONTROL Zone Module no. 8; Actual temperature offset [1/100°C]
ZoneModule 8 - CO2/VOC Actual Value	ppm	1712	0	5000	X-AIRCONTROL Zone Module no. 8; Actual CO2/VOC level [ppm]
ZoneModule 8 - RH Actual Value	%	1713	0	10000	X-AIRCONTROL Zone Module no. 8; Actual relative humidity level [%rh]
ZoneModule 8 - Room Temperature Actual Setpoint	°C	1714	-4000	10000	X-AIRCONTROL Zone Module no. 8; Actual calculated setpoint, roomtemperature [1/100°C]
ZoneModule 9 - Status		1800	0	2	Actual state X-AIRCONTROL Zone Module no. 9: 0 = Normal 1 = B-alarm 2 = A-alarm
ZoneModule 9 - VAV Supply 1 Actuator Setpoint	%	1801	0	10000	X-AIRCONTROL Zone Module no. 9; Actual damper position; supply VAV damper no. 1 [1/100%]
ZoneModule 9 - VAV Supply 1 Flow	m3/h	1802	0	32767	X-AIRCONTROL Zone Module no. 9; Actual air volume; supply VAV damper no. 1 [m3/h]
ZoneModule 9 - VAV Supply 2 Actuator Setpoint	%	1803	0	10000	X-AIRCONTROL Zone Module no. 9; Actual damper position; supply VAV damper no. 2 [1/100%]
ZoneModule 9 - VAV Supply 2 Flow	m3/h	1804	0	32767	X-AIRCONTROL Zone Module no. 9; Actual air volume; supply VAV damper no. 2 [m3/h]
ZoneModule 9 - VAV Extract Actuator Setpoint	%	1805	0	10000	X-AIRCONTROL Zone Module no. 9; Actual damper position; extract VAV damper [1/100%]
ZoneModule 9 - VAV Extract Flow	m3/h	1806	0	32767	X-AIRCONTROL Zone Module no. 9; Actual air volume; extract VAV damper [m3/h]
ZoneModule 9 - Heating Actuator Setpoint	%	1807	0	10000	X-AIRCONTROL Zone Module no. 9; Actual opening heating valve [1/100%]
ZoneModule 9 - Cooling Actuator setpoint	%	1808	0	10000	X-AIRCONTROL Zone Module no. 9; Actual opening cooling valve [1/100%]
ZoneModule 9 - Room Temperature Actual Value	°C	1809	-4000	10000	X-AIRCONTROL Zone Module no. 9; Actual roomtemperature [1/100°C]
ZoneModule 9 - Supply Temperature Actual Value	°C	1810	-4000	10000	X-AIRCONTROL Zone Module no. 9; Actualsupply temperature [1/100°C]
ZoneModule 9 - Remote Setpoint Offset Actual Value	°C	1811	-4000	10000	X-AIRCONTROL Zone Module no. 9; Actual temperature offset [1/100°C]
ZoneModule 9 - CO2/VOC Actual Value	ppm	1812	0	5000	X-AIRCONTROL Zone Module no. 9; Actual CO2/VOC level [ppm]
ZoneModule 9 - RH Actual Value	%	1813	0	10000	X-AIRCONTROL Zone Module no. 9; Actual relative humidity level [%rh]
ZoneModule 9 - Room Temperature Actual Setpoint	°C	1814	-4000	10000	X-AIRCONTROL Zone Module no. 9; Actual calculated setpoint, roomtemperature [1/100°C]
ZoneModule 10 - Status		1900	0	2	Actual state X-AIRCONTROL Zone Module no. 10: 0 = Normal 1 = B-alarm 2 = A-alarm
ZoneModule 10 - VAV Supply 1 Actuator Setpoint	%	1901	0	10000	X-AIRCONTROL Zone Module no. 10; Actual damper position; supply VAV damper no. 1 [1/100%]
ZoneModule 10 - VAV Supply 1 Flow	m3/h	1902	0	32767	X-AIRCONTROL Zone Module no. 10; Actual air volume; supply VAV damper no. 1 [m3/h]
ZoneModule 10 - VAV Supply 2 Actuator Setpoint	%	1903	0	10000	X-AIRCONTROL Zone Module no. 10; Actual damper position; supply VAV damper no. 2 [1/100%]
ZoneModule 10 - VAV Supply 2 Flow	m3/h	1904	0	32767	X-AIRCONTROL Zone Module no. 10; Actual air volume; supply VAV damper no. 2 [m3/h]
ZoneModule 10 - VAV Extract Actuator Setpoint	%	1905	0	10000	X-AIRCONTROL Zone Module no. 10; Actual damper position; extract VAV damper [1/100%]
ZoneModule 10 - VAV Extract Flow	m3/h	1906	0	32767	X-AIRCONTROL Zone Module no. 10; Actual air volume; extract VAV damper [m3/h]
ZoneModule 10 - Heating Actuator Setpoint	%	1907	0	10000	X-AIRCONTROL Zone Module no. 10; Actual opening heating valve [1/100%]
ZoneModule 10 - Cooling Actuator setpoint	%	1908	0	10000	X-AIRCONTROL Zone Module no. 10; Actual opening cooling valve [1/100%]
ZoneModule 10 - Room Temperature Actual Value	°C	1909	-4000	10000	X-AIRCONTROL Zone Module no. 10; Actual roomtemperature [1/100°C]
ZoneModule 10 - Supply Temperature Actual Value	°C	1910	-4000	10000	X-AIRCONTROL Zone Module no. 10; Actualsupply temperature [1/100°C]
ZoneModule 10 - Remote Setpoint Offset Actual Value	°C	1911	-4000	10000	X-AIRCONTROL Zone Module no. 10; Actual temperature offset [1/100°C]
ZoneModule 10 - CO2/VOC Actual Value	ppm	1912	0	5000	X-AIRCONTROL Zone Module no. 10; Actual CO2/VOC level [ppm]
ZoneModule 10 - RH Actual Value	%	1913	0	10000	X-AIRCONTROL Zone Module no. 10; Actual relative humidity level [%rh]
ZoneModule 10 - Room Temperature Actual Setpoint	°C	1914	-4000	10000	X-AIRCONTROL Zone Module no. 10; Actual calculated setpoint, roomtemperature [1/100°C]

NAME (Analog Input)	UNIT	Object Instance	MIN	MAX	REMARKS
ZoneModule 11 - Status		2000	0	2	Actual state X-AIRCONTROL Zone Module no. 11: 0 = Normal 1 = B-alarm 2 = A-alarm
ZoneModule 11 - VAV Supply 1 Actuator Setpoint	%	2001	0	10000	X-AIRCONTROL Zone Module no. 11; Actual damper position; supply VAV damper no. 1 [1/100%]
ZoneModule 11 - VAV Supply 1 Flow	m3/h	2002	0	32767	X-AIRCONTROL Zone Module no. 11; Actual air volume; supply VAV damper no. 1 [m3/h]
ZoneModule 11 - VAV Supply 2 Actuator Setpoint	%	2003	0	10000	X-AIRCONTROL Zone Module no. 11; Actual damper position; supply VAV damper no. 2 [1/100%]
ZoneModule 11 - VAV Supply 2 Flow	m3/h	2004	0	32767	X-AIRCONTROL Zone Module no. 11; Actual air volume; supply VAV damper no. 2 [m3/h]
ZoneModule 11 - VAV Extract Actuator Setpoint	%	2005	0	10000	X-AIRCONTROL Zone Module no. 11; Actual damper position; extract VAV damper [1/100%]
ZoneModule 11 - VAV Extract Flow	m3/h	2006	0	32767	X-AIRCONTROL Zone Module no. 11; Actual air volume; extract VAV damper [m3/h]
ZoneModule 11 - Heating Actuator Setpoint	%	2007	0	10000	X-AIRCONTROL Zone Module no. 11; Actual opening heating valve [1/100%]
ZoneModule 11 - Cooling Actuator setpoint	%	2008	0	10000	X-AIRCONTROL Zone Module no. 11; Actual opening cooling valve [1/100%]
ZoneModule 11 - Room Temperature Actual Value	°C	2009	-4000	10000	X-AIRCONTROL Zone Module no. 11; Actual roomtemperature [1/100°C]
ZoneModule 11 - Supply Temperature Actual Value	°C	2010	-4000	10000	X-AIRCONTROL Zone Module no. 11; Actualsupply temperature [1/100°C]
ZoneModule 11 - Remote Setpoint Offset Actual Value	°C	2011	-4000	10000	X-AIRCONTROL Zone Module no. 11; Actual temperature offset [1/100°C]
ZoneModule 11 - CO2/VOC Actual Value	ppm	2012	0	5000	X-AIRCONTROL Zone Module no. 11; Actual CO2/VOC level [ppm]
ZoneModule 11 - RH Actual Value	%	2013	0	10000	X-AIRCONTROL Zone Module no. 11; Actual relative humidity level [%rh]
ZoneModule 11 - Room Temperature Actual Setpoint	°C	2014	-4000	10000	X-AIRCONTROL Zone Module no. 11; Actual calculated setpoint, roomtemperature [1/100°C]
ZoneModule 12 - Status		2100	0	2	Actual state X-AIRCONTROL Zone Module no. 12: 0 = Normal 1 = B-alarm 2 = A-alarm
ZoneModule 12 - VAV Supply 1 Actuator Setpoint	%	2101	0	10000	X-AIRCONTROL Zone Module no. 12; Actual damper position; supply VAV damper no. 1 [1/100%]
ZoneModule 12 - VAV Supply 1 Flow	m3/h	2102	0	32767	X-AIRCONTROL Zone Module no. 12; Actual air volume; supply VAV damper no. 1 [m3/h]
ZoneModule 12 - VAV Supply 2 Actuator Setpoint	%	2103	0	10000	X-AIRCONTROL Zone Module no. 12; Actual damper position; supply VAV damper no. 2 [1/100%]
ZoneModule 12 - VAV Supply 2 Flow	m3/h	2104	0	32767	X-AIRCONTROL Zone Module no. 12; Actual air volume; supply VAV damper no. 2 [m3/h]
ZoneModule 12 - VAV Extract Actuator Setpoint	%	2105	0	10000	X-AIRCONTROL Zone Module no. 12; Actual damper position; extract VAV damper [1/100%]
ZoneModule 12 - VAV Extract Flow	m3/h	2106	0	32767	X-AIRCONTROL Zone Module no. 12; Actual air volume; extract VAV damper [m3/h]
ZoneModule 12 - Heating Actuator Setpoint	%	2107	0	10000	X-AIRCONTROL Zone Module no. 12; Actual opening heating valve [1/100%]
ZoneModule 12 - Cooling Actuator setpoint	%	2108	0	10000	X-AIRCONTROL Zone Module no. 12; Actual opening cooling valve [1/100%]
ZoneModule 12 - Room Temperature Actual Value	°C	2109	-4000	10000	X-AIRCONTROL Zone Module no. 12; Actual roomtemperature [1/100°C]
ZoneModule 12 - Supply Temperature Actual Value	°C	2110	-4000	10000	X-AIRCONTROL Zone Module no. 12; Actualsupply temperature [1/100°C]
ZoneModule 12 - Remote Setpoint Offset Actual Value	°C	2111	-4000	10000	X-AIRCONTROL Zone Module no. 12; Actual temperature offset [1/100°C]
ZoneModule 12 - CO2/VOC Actual Value	ppm	2112	0	5000	X-AIRCONTROL Zone Module no. 12; Actual CO2/VOC level [ppm]
ZoneModule 12 - RH Actual Value	%	2113	0	10000	X-AIRCONTROL Zone Module no. 12; Actual relative humidity level [%rh]
ZoneModule 12 - Room Temperature Actual Setpoint	°C	2114	-4000	10000	X-AIRCONTROL Zone Module no. 12; Actual calculated setpoint, roomtemperature [1/100°C]
ZoneModule 13 - Status		2200	0	2	Actual state X-AIRCONTROL Zone Module no. 13: 0 = Normal 1 = B-alarm 2 = A-alarm
ZoneModule 13 - VAV Supply 1 Actuator Setpoint	%	2201	0	10000	X-AIRCONTROL Zone Module no. 13; Actual damper position; supply VAV damper no. 1 [1/100%]
ZoneModule 13 - VAV Supply 1 Flow	m3/h	2202	0	32767	X-AIRCONTROL Zone Module no. 13; Actual air volume; supply VAV damper no. 1 [m3/h]
ZoneModule 13 - VAV Supply 2 Actuator Setpoint	%	2203	0	10000	X-AIRCONTROL Zone Module no. 13; Actual damper position; supply VAV damper no. 2 [1/100%]
ZoneModule 13 - VAV Supply 2 Flow	m3/h	2204	0	32767	X-AIRCONTROL Zone Module no. 13; Actual air volume; supply VAV damper no. 2 [m3/h]
ZoneModule 13 - VAV Extract Actuator Setpoint	%	2205	0	10000	X-AIRCONTROL Zone Module no. 13; Actual damper position; extract VAV damper [1/100%]
ZoneModule 13 - VAV Extract Flow	m3/h	2206	0	32767	X-AIRCONTROL Zone Module no. 13; Actual air volume; extract VAV damper [m3/h]
ZoneModule 13 - Heating Actuator Setpoint	%	2207	0	10000	X-AIRCONTROL Zone Module no. 13; Actual opening heating valve [1/100%]
ZoneModule 13 - Cooling Actuator setpoint	%	2208	0	10000	X-AIRCONTROL Zone Module no. 13; Actual opening cooling valve [1/100%]
ZoneModule 13 - Room Temperature Actual Value	°C	2209	-4000	10000	X-AIRCONTROL Zone Module no. 13; Actual roomtemperature [1/100°C]
ZoneModule 13 - Supply Temperature Actual Value	°C	2210	-4000	10000	X-AIRCONTROL Zone Module no. 13; Actualsupply temperature [1/100°C]
ZoneModule 13 - Remote Setpoint Offset Actual Value	°C	2211	-4000	10000	X-AIRCONTROL Zone Module no. 13; Actual temperature offset [1/100°C]
ZoneModule 13 - CO2/VOC Actual Value	ppm	2212	0	5000	X-AIRCONTROL Zone Module no. 13; Actual CO2/VOC level [ppm]
ZoneModule 13 - RH Actual Value	%	2213	0	10000	X-AIRCONTROL Zone Module no. 13; Actual relative humidity level [%rh]
ZoneModule 13 - Room Temperature Actual Setpoint	°C	2214	-4000	10000	X-AIRCONTROL Zone Module no. 13; Actual calculated setpoint, roomtemperature [1/100°C]

NAME (Analog Input)	UNIT	Object Instance	MIN	MAX	REMARKS
ZoneModule 14 - Status		2300	0	2	Actual state X-AIRCONTROL Zone Module no. 14: 0 = Normal 1 = B-alarm 2 = A-alarm
ZoneModule 14 - VAV Supply 1 Actuator Setpoint	%	2301	0	10000	X-AIRCONTROL Zone Module no. 14; Actual damper position; supply VAV damper no. 1 [1/100%]
ZoneModule 14 - VAV Supply 1 Flow	m3/h	2302	0	32767	X-AIRCONTROL Zone Module no. 14; Actual air volume; supply VAV damper no. 1 [m3/h]
ZoneModule 14 - VAV Supply 2 Actuator Setpoint	%	2303	0	10000	X-AIRCONTROL Zone Module no. 14; Actual damper position; supply VAV damper no. 2 [1/100%]
ZoneModule 14 - VAV Supply 2 Flow	m3/h	2304	0	32767	X-AIRCONTROL Zone Module no. 14; Actual air volume; supply VAV damper no. 2 [m3/h]
ZoneModule 14 - VAV Extract Actuator Setpoint	%	2305	0	10000	X-AIRCONTROL Zone Module no. 14; Actual damper position; extract VAV damper [1/100%]
ZoneModule 14 - VAV Extract Flow	m3/h	2306	0	32767	X-AIRCONTROL Zone Module no. 14; Actual air volume; extract VAV damper [m3/h]
ZoneModule 14 - Heating Actuator Setpoint	%	2307	0	10000	X-AIRCONTROL Zone Module no. 14; Actual opening heating valve [1/100%]
ZoneModule 14 - Cooling Actuator setpoint	%	2308	0	10000	X-AIRCONTROL Zone Module no. 14; Actual opening cooling valve [1/100%]
ZoneModule 14 - Room Temperature Actual Value	°C	2309	-4000	10000	X-AIRCONTROL Zone Module no. 14; Actual roomtemperature [1/100°C]
ZoneModule 14 - Supply Temperature Actual Value	°C	2310	-4000	10000	X-AIRCONTROL Zone Module no. 14; Actualsupply temperature [1/100°C]
ZoneModule 14 - Remote Setpoint Offset Actual Value	°C	2311	-4000	10000	X-AIRCONTROL Zone Module no. 14; Actual temperature offset [1/100°C]
ZoneModule 14 - CO2/VOC Actual Value	ppm	2312	0	5000	X-AIRCONTROL Zone Module no. 14; Actual CO2/VOC level [ppm]
ZoneModule 14 - RH Actual Value	%	2313	0	10000	X-AIRCONTROL Zone Module no. 14; Actual relative humidity level [%rh]
ZoneModule 14 - Room Temperature Actual Setpoint	°C	2314	-4000	10000	X-AIRCONTROL Zone Module no. 14; Actual calculated setpoint, roomtemperature [1/100°C]
ZoneModule 15 - Status		2400	0	2	Actual state X-AIRCONTROL Zone Module no. 15: 0 = Normal 1 = B-alarm 2 = A-alarm
ZoneModule 15 - VAV Supply 1 Actuator Setpoint	%	2401	0	10000	X-AIRCONTROL Zone Module no. 15; Actual damper position; supply VAV damper no. 1 [1/100%]
ZoneModule 15 - VAV Supply 1 Flow	m3/h	2402	0	32767	X-AIRCONTROL Zone Module no. 15; Actual air volume; supply VAV damper no. 1 [m3/h]
ZoneModule 15 - VAV Supply 2 Actuator Setpoint	%	2403	0	10000	X-AIRCONTROL Zone Module no. 15; Actual damper position; supply VAV damper no. 2 [1/100%]
ZoneModule 15 - VAV Supply 2 Flow	m3/h	2404	0	32767	X-AIRCONTROL Zone Module no. 15; Actual air volume; supply VAV damper no. 2 [m3/h]
ZoneModule 15 - VAV Extract Actuator Setpoint	%	2405	0	10000	X-AIRCONTROL Zone Module no. 15; Actual damper position; extract VAV damper [1/100%]
ZoneModule 15 - VAV Extract Flow	m3/h	2406	0	32767	X-AIRCONTROL Zone Module no. 15; Actual air volume; extract VAV damper [m3/h]
ZoneModule 15 - Heating Actuator Setpoint	%	2407	0	10000	X-AIRCONTROL Zone Module no. 15; Actual opening heating valve [1/100%]
ZoneModule 15 - Cooling Actuator setpoint	%	2408	0	10000	X-AIRCONTROL Zone Module no. 15; Actual opening cooling valve [1/100%]
ZoneModule 15 - Room Temperature Actual Value	°C	2409	-4000	10000	X-AIRCONTROL Zone Module no. 15; Actual roomtemperature [1/100°C]
ZoneModule 15 - Supply Temperature Actual Value	°C	2410	-4000	10000	X-AIRCONTROL Zone Module no. 15; Actualsupply temperature [1/100°C]
ZoneModule 15 - Remote Setpoint Offset Actual Value	°C	2411	-4000	10000	X-AIRCONTROL Zone Module no. 15; Actual temperature offset [1/100°C]
ZoneModule 15 - CO2/VOC Actual Value	ppm	2412	0	5000	X-AIRCONTROL Zone Module no. 15; Actual CO2/VOC level [ppm]
ZoneModule 15 - RH Actual Value	%	2413	0	10000	X-AIRCONTROL Zone Module no. 15; Actual relative humidity level [%rh]
ZoneModule 15 - Room Temperature Actual Setpoint	°C	2414	-4000	10000	X-AIRCONTROL Zone Module no. 15; Actual calculated setpoint, roomtemperature [1/100°C]
ZoneModule 16 - Status		2500	0	2	Actual state X-AIRCONTROL zone Module no. 16: 0 = Normal 1 = B-alarm 2 = A-alarm
ZoneModule 16 - VAV Supply 1 Actuator Setpoint	%	2501	0	10000	X-AIRCONTROL Zone Module no. 16; Actual damper position; supply VAV damper no. 1 [1/100%]
ZoneModule 16 - VAV Supply 1 Flow	m3/h	2502	0	32767	X-AIRCONTROL Zone Module no. 16; Actual air volume; supply VAV damper no. 1 [m3/h]
ZoneModule 16 - VAV Supply 2 Actuator Setpoint	%	2503	0	10000	X-AIRCONTROL Zone Module no. 16; Actual damper position; supply VAV damper no. 2 [1/100%]
ZoneModule 16 - VAV Supply 2 Flow	m3/h	2504	0	32767	X-AIRCONTROL Zone Module no. 16; Actual air volume; supply VAV damper no. 2 [m3/h]
ZoneModule 16 - VAV Extract Actuator Setpoint	%	2505	0	10000	X-AIRCONTROL Zone Module no. 16; Actual damper position; extract VAV damper [1/100%]
ZoneModule 16 - VAV Extract Flow	m3/h	2506	0	32767	X-AIRCONTROL Zone Module no. 16; Actual air volume; extract VAV damper [m3/h]
ZoneModule 16 - Heating Actuator Setpoint	%	2507	0	10000	X-AIRCONTROL Zone Module no. 16; Actual opening heating valve [1/100%]
ZoneModule 16 - Cooling Actuator setpoint	%	2508	0	10000	X-AIRCONTROL Zone Module no. 16; Actual opening cooling valve [1/100%]
ZoneModule 16 - Room Temperature Actual Value	°C	2509	-4000	10000	X-AIRCONTROL Zone Module no. 16; Actual roomtemperature [1/100°C]
ZoneModule 16 - Supply Temperature Actual Value	°C	2510	-4000	10000	X-AIRCONTROL Zone Module no. 16; Actualsupply temperature [1/100°C]
ZoneModule 16 - Remote Setpoint Offset Actual Value	°C	2511	-4000	10000	X-AIRCONTROL Zone Module no. 16; Actual temperature offset [1/100°C]
ZoneModule 16 - CO2/VOC Actual Value	ppm	2512	0	5000	X-AIRCONTROL Zone Module no. 16; Actual CO2/VOC level [ppm]
ZoneModule 16 - RH Actual Value	%	2513	0	10000	X-AIRCONTROL Zone Module no. 16; Actual relative humidity level [%rh]
ZoneModule 16 - Room Temperature Actual Setpoint	°C	2514	-4000	10000	X-AIRCONTROL Zone Module no. 16; Actual calculated setpoint, roomtemperature [1/100°C]

NAME (Analog Input)	UNIT	Object Instance	MIN	MAX	REMARKS
ZoneModule 17 - Status		2600	0	2	Actual state x-AIRCONTROL Zone Module no. 17: 0 = Normal 1 = B-alarm 2 = A-alarm
ZoneModule 17 - VAV Supply 1 Actuator Setpoint	%	2601	0	10000	X-AIRCONTROL Zone Module no. 17; Actual damper position; supply VAV damper no. 1 [1/100%]
ZoneModule 17 - VAV Supply 1 Flow	m3/h	2602	0	32767	X-AIRCONTROL Zone Module no. 17; Actual air volume; supply VAV damper no. 1 [m3/h]
ZoneModule 17 - VAV Supply 2 Actuator Setpoint	%	2603	0	10000	X-AIRCONTROL Zone Module no. 17; Actual damper position; supply VAV damper no. 2 [1/100%]
ZoneModule 17 - VAV Supply 2 Flow	m3/h	2604	0	32767	X-AIRCONTROL Zone Module no. 17; Actual air volume; supply VAV damper no. 2 [m3/h]
ZoneModule 17 - VAV Extract Actuator Setpoint	%	2605	0	10000	X-AIRCONTROL Zone Module no. 17; Actual damper position; extract VAV damper [1/100%]
ZoneModule 17 - VAV Extract Flow	m3/h	2606	0	32767	X-AIRCONTROL Zone Module no. 17; Actual air volume; extract VAV damper [m3/h]
ZoneModule 17 - Heating Actuator Setpoint	%	2607	0	10000	X-AIRCONTROL Zone Module no. 17; Actual opening heating valve [1/100%]
ZoneModule 17 - Cooling Actuator setpoint	%	2608	0	10000	X-AIRCONTROL Zone Module no. 17; Actual opening cooling valve [1/100%]
ZoneModule 17 - Room Temperature Actual Value	°C	2609	-4000	10000	X-AIRCONTROL Zone Module no. 17; Actual roomtemperature [1/100°C]
ZoneModule 17 - Supply Temperature Actual Value	°C	2610	-4000	10000	X-AIRCONTROL Zone Module no. 17; Actualsupply temperature [1/100°C]
ZoneModule 17 - Remote Setpoint Offset Actual Value	°C	2611	-4000	10000	X-AIRCONTROL Zone Module no. 17; Actual temperature offset [1/100°C]
ZoneModule 17 - CO2/VOC Actual Value	ppm	2612	0	5000	X-AIRCONTROL Zone Module no. 17; Actual CO2/VOC level [ppm]
ZoneModule 17 - RH Actual Value	%	2613	0	10000	X-AIRCONTROL Zone Module no. 17; Actual relative humidiy level [%rh]
ZoneModule 17 - Room Temperature Actual Setpoint	°C	2614	-4000	10000	X-AIRCONTROL Zone Module no. 17; Actual calculated setpoint, roomtemperature [1/100°C]
ZoneModule 18 - Status		2700	0	2	Actual state X-AIRCONTROL Zone Module no. 18: 0 = Normal 1 = B-alarm 2 = A-alarm
ZoneModule 18 - VAV Supply 1 Actuator Setpoint	%	2701	0	10000	X-AIRCONTROL Zone Module no. 18; Actual damper position; supply VAV damper no. 1 [1/100%]
ZoneModule 18 - VAV Supply 1 Flow	m3/h	2702	0	32767	X-AIRCONTROL Zone Module no. 18; Actual air volume; supply VAV damper no. 1 [m3/h]
ZoneModule 18 - VAV Supply 2 Actuator Setpoint	%	2703	0	10000	X-AIRCONTROL Zone Module no. 18; Actual damper position; supply VAV damper no. 2 [1/100%]
ZoneModule 18 - VAV Supply 2 Flow	m3/h	2704	0	32767	X-AIRCONTROL Zone Module no. 18; Actual air volume; supply VAV damper no. 2 [m3/h]
ZoneModule 18 - VAV Extract Actuator Setpoint	%	2705	0	10000	X-AIRCONTROL Zone Module no. 18; Actual damper position; extract VAV damper [1/100%]
ZoneModule 18 - VAV Extract Flow	m3/h	2706	0	32767	X-AIRCONTROL Zone Module no. 18; Actual air volume; extract VAV damper [m3/h]
ZoneModule 18 - Heating Actuator Setpoint	%	2707	0	10000	X-AIRCONTROL Zone Module no. 18; Actual opening heating valve [1/100%]
ZoneModule 18 - Cooling Actuator setpoint	%	2708	0	10000	X-AIRCONTROL Zone Module no. 18; Actual opening cooling valve [1/100%]
ZoneModule 18 - Room Temperature Actual Value	°C	2709	-4000	10000	X-AIRCONTROL Zone Module no. 18; Actual roomtemperature [1/100°C]
ZoneModule 18 - Supply Temperature Actual Value	°C	2710	-4000	10000	X-AIRCONTROL Zone Module no. 18; Actualsupply temperature [1/100°C]
ZoneModule 18 - Remote Setpoint Offset Actual Value	°C	2711	-4000	10000	X-AIRCONTROL Zone Module no. 18; Actual temperature offset [1/100°C]
ZoneModule 18 - CO2/VOC Actual Value	ppm	2712	0	5000	X-AIRCONTROL Zone Module no. 18; Actual CO2/VOC level [ppm]
ZoneModule 18 - RH Actual Value	%	2713	0	10000	X-AIRCONTROL Zone Module no. 18; Actual relative humidiy level [%rh]
ZoneModule 18 - Room Temperature Actual Setpoint	°C	2714	-4000	10000	X-AIRCONTROL Zone Module no. 18; Actual calculated setpoint, roomtemperature [1/100°C]
ZoneModule 19 - Status		2800	0	2	Actual state X-AIRCONTROL Zone Module no. 19: 0 = Normal 1 = B-alarm 2 = A-alarm
ZoneModule 19 - VAV Supply 1 Actuator Setpoint	%	2801	0	10000	X-AIRCONTROL Zone Module no. 19; Actual damper position; supply VAV damper no. 1 [1/100%]
ZoneModule 19 - VAV Supply 1 Flow	m3/h	2802	0	32767	X-AIRCONTROL Zone Module no. 19; Actual air volume; supply VAV damper no. 1 [m3/h]
ZoneModule 19 - VAV Supply 2 Actuator Setpoint	%	2803	0	10000	X-AIRCONTROL Zone Module no. 19; Actual damper position; supply VAV damper no. 2 [1/100%]
ZoneModule 19 - VAV Supply 2 Flow	m3/h	2804	0	32767	X-AIRCONTROL Zone Module no. 19; Actual air volume; supply VAV damper no. 2 [m3/h]
ZoneModule 19 - VAV Extract Actuator Setpoint	%	2805	0	10000	X-AIRCONTROL Zone Module no. 19; Actual damper position; extract VAV damper [1/100%]
ZoneModule 19 - VAV Extract Flow	m3/h	2806	0	32767	X-AIRCONTROL Zone Module no. 19; Actual air volume; extract VAV damper [m3/h]
ZoneModule 19 - Heating Actuator Setpoint	%	2807	0	10000	X-AIRCONTROL Zone Module no. 19; Actual opening heating valve [1/100%]
ZoneModule 19 - Cooling Actuator setpoint	%	2808	0	10000	X-AIRCONTROL Zone Module no. 19; Actual opening cooling valve [1/100%]
ZoneModule 19 - Room Temperature Actual Value	°C	2809	-4000	10000	X-AIRCONTROL Zone Module no. 19; Actual roomtemperature [1/100°C]
ZoneModule 19 - Supply Temperature Actual Value	°C	2810	-4000	10000	X-AIRCONTROL Zone Module no. 19; Actualsupply temperature [1/100°C]
ZoneModule 19 - Remote Setpoint Offset Actual Value	°C	2811	-4000	10000	X-AIRCONTROL Zone Module no. 19; Actual temperature offset [1/100°C]
ZoneModule 19 - CO2/VOC Actual Value	ppm	2812	0	5000	X-AIRCONTROL Zone Module no. 19; Actual CO2/VOC level [ppm]
ZoneModule 19 - RH Actual Value	%	2813	0	10000	X-AIRCONTROL Zone Module no. 19; Actual relative humidiy level [%rh]
ZoneModule 19 - Room Temperature Actual Setpoint	°C	2814	-4000	10000	X-AIRCONTROL Zone Module no. 19; Actual calculated setpoint, roomtemperature [1/100°C]

NAME (Analog Input)	UNIT	Object Instance	MIN	MAX	REMARKS
ZoneModule 20 - Status		2900	0	2	Actual state X-AIRCONTROL Zone Module no. 20: 0 = Normal 1 = B-alarm 2 = A-alarm
ZoneModule 20 - VAV Supply 1 Actuator Setpoint	%	2901	0	10000	X-AIRCONTROL Zone Module no. 20; Actual damper position; supply VAV damper no. 1 [1/100%]
ZoneModule 20 - VAV Supply 1 Flow	m3/h	2902	0	32767	X-AIRCONTROL Zone Module no. 20; Actual air volume; supply VAV damper no. 1 [m3/h]
ZoneModule 20 - VAV Supply 2 Actuator Setpoint	%	2903	0	10000	X-AIRCONTROL Zone Module no. 20; Actual damper position; supply VAV damper no. 2 [1/100%]
ZoneModule 20 - VAV Supply 2 Flow	m3/h	2904	0	32767	X-AIRCONTROL Zone Module no. 20; Actual air volume; supply VAV damper no. 2 [m3/h]
ZoneModule 20 - VAV Extract Actuator Setpoint	%	2905	0	10000	X-AIRCONTROL Zone Module no. 20; Actual damper position; extract VAV damper [1/100%]
ZoneModule 20 - VAV Extract Flow	m3/h	2906	0	32767	X-AIRCONTROL Zone Module no. 20; Actual air volume; extract VAV damper [m3/h]
ZoneModule 20 - Heating Actuator Setpoint	%	2907	0	10000	X-AIRCONTROL Zone Module no. 20; Actual opening heating valve [1/100%]
ZoneModule 20 - Cooling Actuator setpoint	%	2908	0	10000	X-AIRCONTROL Zone Module no. 20; Actual opening cooling valve [1/100%]
ZoneModule 20 - Room Temperature Actual Value	°C	2909	-4000	10000	X-AIRCONTROL Zone Module no. 20; Actual roomtemperature [1/100°C]
ZoneModule 20 - Supply Temperature Actual Value	°C	2910	-4000	10000	X-AIRCONTROL Zone Module no. 20; Actualsupply temperature [1/100°C]
ZoneModule 20 - Remote Setpoint Offset Actual Value	°C	2911	-4000	10000	X-AIRCONTROL Zone Module no. 20; Actual temperature offset [1/100°C]
ZoneModule 20 - CO2/VOC Actual Value	ppm	2912	0	5000	X-AIRCONTROL Zone Module no. 20; Actual CO2/VOC level [ppm]
ZoneModule 20 - RH Actual Value	%	2913	0	10000	X-AIRCONTROL Zone Module no. 20; Actual relative humidity level [%rh]
ZoneModule 20 - Room Temperature Actual Setpoint	°C	2914	-4000	10000	X-AIRCONTROL Zone Module no. 20; Actual calculated setpoint, roomtemperature [1/100°C]
ZoneModule 21 - Status		3000	0	2	Actual state X-AIRCONTROL Zone Module no. 21: 0 = Normal 1 = B-alarm 2 = A-alarm
ZoneModule 21 - VAV Supply 1 Actuator Setpoint	%	3001	0	10000	X-AIRCONTROL Zone Module no. 21; Actual damper position; supply VAV damper no. 1 [1/100%]
ZoneModule 21 - VAV Supply 1 Flow	m3/h	3002	0	32767	X-AIRCONTROL Zone Module no. 21; Actual air volume; supply VAV damper no. 1 [m3/h]
ZoneModule 21 - VAV Supply 2 Actuator Setpoint	%	3003	0	10000	X-AIRCONTROL Zone Module no. 21; Actual damper position; supply VAV damper no. 2 [1/100%]
ZoneModule 21 - VAV Supply 2 Flow	m3/h	3004	0	32767	X-AIRCONTROL Zone Module no. 21; Actual air volume; supply VAV damper no. 2 [m3/h]
ZoneModule 21 - VAV Extract Actuator Setpoint	%	3005	0	10000	X-AIRCONTROL Zone Module no. 21; Actual damper position; extract VAV damper [1/100%]
ZoneModule 21 - VAV Extract Flow	m3/h	3006	0	32767	X-AIRCONTROL Zone Module no. 21; Actual air volume; extract VAV damper [m3/h]
ZoneModule 21 - Heating Actuator Setpoint	%	3007	0	10000	X-AIRCONTROL Zone Module no. 21; Actual opening heating valve [1/100%]
ZoneModule 21 - Cooling Actuator setpoint	%	3008	0	10000	X-AIRCONTROL Zone Module no. 21; Actual opening cooling valve [1/100%]
ZoneModule 21 - Room Temperature Actual Value	°C	3009	-4000	10000	X-AIRCONTROL Zone Module no. 21; Actual roomtemperature [1/100°C]
ZoneModule 21 - Supply Temperature Actual Value	°C	3010	-4000	10000	X-AIRCONTROL Zone Module no. 21; Actualsupply temperature [1/100°C]
ZoneModule 21 - Remote Setpoint Offset Actual Value	°C	3011	-4000	10000	X-AIRCONTROL Zone Module no. 21; Actual temperature offset [1/100°C]
ZoneModule 21 - CO2/VOC Actual Value	ppm	3012	0	5000	X-AIRCONTROL Zone Module no. 21; Actual CO2/VOC level [ppm]
ZoneModule 21 - RH Actual Value	%	3013	0	10000	X-AIRCONTROL Zone Module no. 21; Actual relative humidity level [%rh]
ZoneModule 21 - Room Temperature Actual Setpoint	°C	3014	-4000	10000	X-AIRCONTROL Zone Module no. 21; Actual calculated setpoint, roomtemperature [1/100°C]
ZoneModule 22 - Status		3100	0	2	Actual state X-AIRCONTROL Zone Module no. 22: 0 = Normal 1 = B-alarm 2 = A-alarm
ZoneModule 22 - VAV Supply 1 Actuator Setpoint	%	3101	0	10000	X-AIRCONTROL Zone Module no. 22; Actual damper position; supply VAV damper no. 1 [1/100%]
ZoneModule 22 - VAV Supply 1 Flow	m3/h	3102	0	32767	X-AIRCONTROL Zone Module no. 22; Actual air volume; supply VAV damper no. 1 [m3/h]
ZoneModule 22 - VAV Supply 2 Actuator Setpoint	%	3103	0	10000	X-AIRCONTROL Zone Module no. 22; Actual damper position; supply VAV damper no. 2 [1/100%]
ZoneModule 22 - VAV Supply 2 Flow	m3/h	3104	0	32767	X-AIRCONTROL Zone Module no. 22; Actual air volume; supply VAV damper no. 2 [m3/h]
ZoneModule 22 - VAV Extract Actuator Setpoint	%	3105	0	10000	X-AIRCONTROL Zone Module no. 22; Actual damper position; extract VAV damper [1/100%]
ZoneModule 22 - VAV Extract Flow	m3/h	3106	0	32767	X-AIRCONTROL Zone Module no. 22; Actual air volume; extract VAV damper [m3/h]
ZoneModule 22 - Heating Actuator Setpoint	%	3107	0	10000	X-AIRCONTROL Zone Module no. 22; Actual opening heating valve [1/100%]
ZoneModule 22 - Cooling Actuator setpoint	%	3108	0	10000	X-AIRCONTROL Zone Module no. 22; Actual opening cooling valve [1/100%]
ZoneModule 22 - Room Temperature Actual Value	°C	3109	-4000	10000	X-AIRCONTROL Zone Module no. 22; Actual roomtemperature [1/100°C]
ZoneModule 22 - Supply Temperature Actual Value	°C	3110	-4000	10000	X-AIRCONTROL Zone Module no. 22; Actualsupply temperature [1/100°C]
ZoneModule 22 - Remote Setpoint Offset Actual Value	°C	3111	-4000	10000	X-AIRCONTROL Zone Module no. 22; Actual temperature offset [1/100°C]
ZoneModule 22 - CO2/VOC Actual Value	ppm	3112	0	5000	X-AIRCONTROL Zone Module no. 22; Actual CO2/VOC level [ppm]
ZoneModule 22 - RH Actual Value	%	3113	0	10000	X-AIRCONTROL Zone Module no. 22; Actual relative humidity level [%rh]
ZoneModule 22 - Room Temperature Actual Setpoint	°C	3114	-4000	10000	X-AIRCONTROL Zone Module no. 22; Actual calculated setpoint, roomtemperature [1/100°C]

NAME (Analog Input)	UNIT	Object Instance	MIN	MAX	REMARKS
ZoneModule 23 - Status		3200	0	2	Actual state X-AIRCONTROL Zone Module no. 23: 0 = Normal 1 = B-alarm 2 = A-alarm
ZoneModule 23 - VAV Supply 1 Actuator Setpoint	%	3201	0	10000	X-AIRCONTROL Zone Module no. 23; Actual damper position; supply VAV damper no. 1 [1/100%]
ZoneModule 23 - VAV Supply 1 Flow	m3/h	3202	0	32767	X-AIRCONTROL Zone Module no. 23; Actual air volume; supply VAV damper no. 1 [m3/h]
ZoneModule 23 - VAV Supply 2 Actuator Setpoint	%	3203	0	10000	X-AIRCONTROL Zone Module no. 23; Actual damper position; supply VAV damper no. 2 [1/100%]
ZoneModule 23 - VAV Supply 2 Flow	m3/h	3204	0	32767	X-AIRCONTROL Zone Module no. 23; Actual air volume; supply VAV damper no. 2 [m3/h]
ZoneModule 23 - VAV Extract Actuator Setpoint	%	3205	0	10000	X-AIRCONTROL Zone Module no. 23; Actual damper position; extract VAV damper [1/100%]
ZoneModule 23 - VAV Extract Flow	m3/h	3206	0	32767	X-AIRCONTROL Zone Module no. 23; Actual air volume; extract VAV damper [m3/h]
ZoneModule 23 - Heating Actuator Setpoint	%	3207	0	10000	X-AIRCONTROL Zone Module no. 23; Actual opening heating valve [1/100%]
ZoneModule 23 - Cooling Actuator setpoint	%	3208	0	10000	X-AIRCONTROL Zone Module no. 23; Actual opening cooling valve [1/100%]
ZoneModule 23 - Room Temperature Actual Value	°C	3209	-4000	10000	X-AIRCONTROL Zone Module no. 23; Actual roomtemperature [1/100°C]
ZoneModule 23 - Supply Temperature Actual Value	°C	3210	-4000	10000	X-AIRCONTROL Zone Module no. 23; Actualsupply temperature [1/100°C]
ZoneModule 23 - Remote Setpoint Offset Actual Value	°C	3211	-4000	10000	X-AIRCONTROL Zone Module no. 23; Actual temperature offset [1/100°C]
ZoneModule 23 - CO2/VOC Actual Value	ppm	3212	0	5000	X-AIRCONTROL Zone Module no. 23; Actual CO2/VOC level [ppm]
ZoneModule 23 - RH Actual Value	%	3213	0	10000	X-AIRCONTROL Zone Module no. 23; Actual relative humidity level [%rh]
ZoneModule 23 - Room Temperature Actual Setpoint	°C	3214	-4000	10000	X-AIRCONTROL Zone Module no. 23; Actual calculated setpoint, roomtemperature [1/100°C]
ZoneModule 24 - Status		3300	0	2	Actual state X-AIRCONTROL Zone Module no. 24: 0 = Normal 1 = B-alarm 2 = A-alarm
ZoneModule 24 - VAV Supply 1 Actuator Setpoint	%	3301	0	10000	X-AIRCONTROL Zone Module no. 24; Actual damper position; supply VAV damper no. 1 [1/100%]
ZoneModule 24 - VAV Supply 1 Flow	m3/h	3302	0	32767	X-AIRCONTROL Zone Module no. 24; Actual air volume; supply VAV damper no. 1 [m3/h]
ZoneModule 24 - VAV Supply 2 Actuator Setpoint	%	3303	0	10000	X-AIRCONTROL Zone Module no. 24; Actual damper position; supply VAV damper no. 2 [1/100%]
ZoneModule 24 - VAV Supply 2 Flow	m3/h	3304	0	32767	X-AIRCONTROL Zone Module no. 24; Actual air volume; supply VAV damper no. 2 [m3/h]
ZoneModule 24 - VAV Extract Actuator Setpoint	%	3305	0	10000	X-AIRCONTROL Zone Module no. 24; Actual damper position; extract VAV damper [1/100%]
ZoneModule 24 - VAV Extract Flow	m3/h	3306	0	32767	X-AIRCONTROL Zone Module no. 24; Actual air volume; extract VAV damper [m3/h]
ZoneModule 24 - Heating Actuator Setpoint	%	3307	0	10000	X-AIRCONTROL Zone Module no. 24; Actual opening heating valve [1/100%]
ZoneModule 24 - Cooling Actuator setpoint	%	3308	0	10000	X-AIRCONTROL Zone Module no. 24; Actual opening cooling valve [1/100%]
ZoneModule 24 - Room Temperature Actual Value	°C	3309	-4000	10000	X-AIRCONTROL Zone Module no. 24; Actual roomtemperature [1/100°C]
ZoneModule 24 - Supply Temperature Actual Value	°C	3310	-4000	10000	X-AIRCONTROL Zone Module no. 24; Actualsupply temperature [1/100°C]
ZoneModule 24 - Remote Setpoint Offset Actual Value	°C	3311	-4000	10000	X-AIRCONTROL Zone Module no. 24; Actual temperature offset [1/100°C]
ZoneModule 24 - CO2/VOC Actual Value	ppm	3312	0	5000	X-AIRCONTROL Zone Module no. 24; Actual CO2/VOC level [ppm]
ZoneModule 24 - RH Actual Value	%	3313	0	10000	X-AIRCONTROL Zone Module no. 24; Actual relative humidity level [%rh]
ZoneModule 24 - Room Temperature Actual Setpoint	°C	3314	-4000	10000	X-AIRCONTROL Zone Module no. 24; Actual calculated setpoint, roomtemperature [1/100°C]
ZoneModule 25 - Status		3400	0	2	Actual state X-AIRCONTROL Zone Module no. 25: 0 = Normal 1 = B-alarm 2 = A-alarm
ZoneModule 25 - VAV Supply 1 Actuator Setpoint	%	3401	0	10000	X-AIRCONTROL Zone Module no. 25; Actual damper position; supply VAV damper no. 1 [1/100%]
ZoneModule 25 - VAV Supply 1 Flow	m3/h	3402	0	32767	X-AIRCONTROL Zone Module no. 25; Actual air volume; supply VAV damper no. 1 [m3/h]
ZoneModule 25 - VAV Supply 2 Actuator Setpoint	%	3403	0	10000	X-AIRCONTROL Zone Module no. 25; Actual damper position; supply VAV damper no. 2 [1/100%]
ZoneModule 25 - VAV Supply 2 Flow	m3/h	3404	0	32767	X-AIRCONTROL Zone Module no. 25; Actual air volume; supply VAV damper no. 2 [m3/h]
ZoneModule 25 - VAV Extract Actuator Setpoint	%	3405	0	10000	X-AIRCONTROL Zone Module no. 25; Actual damper position; extract VAV damper [1/100%]
ZoneModule 25 - VAV Extract Flow	m3/h	3406	0	32767	X-AIRCONTROL Zone Module no. 25; Actual air volume; extract VAV damper [m3/h]
ZoneModule 25 - Heating Actuator Setpoint	%	3407	0	10000	X-AIRCONTROL Zone Module no. 25; Actual opening heating valve [1/100%]
ZoneModule 25 - Cooling Actuator setpoint	%	3408	0	10000	X-AIRCONTROL Zone Module no. 25; Actual opening cooling valve [1/100%]
ZoneModule 25 - Room Temperature Actual Value	°C	3409	-4000	10000	X-AIRCONTROL Zone Module no. 25; Actual roomtemperature [1/100°C]
ZoneModule 25 - Supply Temperature Actual Value	°C	3410	-4000	10000	X-AIRCONTROL Zone Module no. 25; Actualsupply temperature [1/100°C]
ZoneModule 25 - Remote Setpoint Offset Actual Value	°C	3411	-4000	10000	X-AIRCONTROL Zone Module no. 25; Actual temperature offset [1/100°C]
ZoneModule 25 - CO2/VOC Actual Value	ppm	3412	0	5000	X-AIRCONTROL Zone Module no. 25; Actual CO2/VOC level [ppm]
ZoneModule 25 - RH Actual Value	%	3413	0	10000	X-AIRCONTROL Zone Module no. 25; Actual relative humidity level [%rh]
ZoneModule 25 - Room Temperature Actual Setpoint	°C	3414	-4000	10000	X-AIRCONTROL Zone Module no. 25; Actual calculated setpoint, roomtemperature [1/100°C]
Number Of Zonemasters		3500	0	5	Actual number of affiliated/online X-AIRCONTROL Master
ZoneMaster Chain ID		3501	0	4	ID on this X-AIRCONTROL Master
ZoneMaster 1 - ZoneMaster Local Alarm Status		4000	0	2	Alarmstatus on X-AIRCONTROL Master no. 1 [0 = Normal; 1 = B-alarm; 2 = A-alarm]
ZoneMaster 2 - ZoneMaster Local Alarm Status		4100	0	2	Alarmstatus on X-AIRCONTROL Master no. 2 [0 = Normal; 1 = B-alarm; 2 = A-alarm]
ZoneMaster 3 - ZoneMaster Local Alarm Status		4200	0	2	Alarmstatus on X-AIRCONTROL Master no. 3 [0 = Normal; 1 = B-alarm; 2 = A-alarm]
ZoneMaster 4 - ZoneMaster Local Alarm Status		4300	0	2	Alarmstatus on X-AIRCONTROL Master no. 4 [0 = Normal; 1 = B-alarm; 2 = A-alarm]
ZoneMaster 5 - ZoneMaster Local Alarm Status		4400	0	2	Alarmstatus on X-AIRCONTROL Master no. 5 [0 = Normal; 1 = B-alarm; 2 = A-alarm]

Analog Value (R/W)

NAME (Analog Value)	UNIT	Object Instance	MIN	MAX	REMARKS
System Time Year		0	2000	2200	Actual year in X-AIRCONTROL Master
System Time Month		1	1	12	Actual month in X-AIRCONTROL Master
System Time Date		2	1	31	Actual dato in X-AIRCONTROL Master
System Time Hour		3	0	23	Actual hour in X-AIRCONTROL Master
System Time Minute		4	0	59	Actual minute in X-AIRCONTROL Master
System Time Second		5	0	59	Actual second in X-AIRCONTROL Master
AHU Min Supply Fan Speed	%	100	0	10000	Supply fan, min. speed [1/100%]
AHU Max Supply Fan Speed	%	101	0	10000	Supply fan, max. speed [1/100%]
AHU Min Extract Fan Speed	%	102	0	10000	Extract fan, min. speed [1/100%]
AHU Max Extract Fan Speed	%	103	0	10000	Extract fan, max. speed [1/100%]
Minimum Supply Air Temperature		104	0	3000	Min. supply temperature [1/100°C]
Highest Allowed Cooling Water Temp		105	-4000	10000	Max. cooling water temperature [1/100°C]
Winter Start Temperature	°C	106	-4000	1500	Summer/Winter-Temp.Comp. winter Low outdoor temp. setpoint [1/100°C]
Winter Max Temperature	°C	107	-4000	1500	Summer/Winter-Temp.Comp. winter High outdoor temp. setpoint [1/100°C]
Winter Temp Diff	°C	108	0	1500	Summer/Winter-Temp.Comp. winter compensation [1/100°C]
Summer Start Temperature	°C	109	1500	4000	Summer/Winter-Temp.Comp. summer Low outdoor temp. setpoint [1/100°C]
Summer Max Temperature	°C	110	1500	4000	Summer/Winter-Temp.Comp. summer High outdoor temp. setpoint [1/100°C]
Summer Temp Diff	°C	111	0	1500	Summer/Winter-Temp.Komp summer compensation [1/100°C]
ZoneModule 1 - Room Temperature Setpoint	°C	1001	500	3500	Zone no. 1 - Room temperature setpoint [1/100°C]
ZoneModule 1 - Minimum Supply Temperature	°C	1002	1000	3000	Zone no. 1 - Min. setpoint supply temperature [1/100°C]
ZoneModule 1 - Maximum Supply Temperature	°C	1003	1000	6000	Zone no. 1 - Max. setpoint supply temperature [1/100°C]
ZoneModule 1 - Room CO2 Setpoint	ppm	1004	100	5000	Zone no. 1 - CO2 setpoint [ppm]
ZoneModule 1 - Room RH Setpoint	%	1005	0	10000	Zone no. 1 - Setpoint Relative humidity [1/100%rh]
ZoneModule 1 - VAV Supply PIR Min. Air Flow	%	1006	0	10000	Zone no. 1 - Min. Supply air volume, when zone is active [1/100%]
ZoneModule 1 - VAV Supply 1 Min. Air Flow	%	1007	0	10000	Zone no. 1 - Min. supply air volume, VAV damper 1 [1/100%]
ZoneModule 1 - VAV Supply 1 Max. Air Flow	%	1008	0	10000	Zone no. 1 - Max. supply air volume, VAV damper 1 [1/100%]
ZoneModule 1 - VAV Supply 2 Min. Air Flow	%	1009	0	10000	Zone no. 1 - Min. supply air volume, VAV damper 2 [1/100%]
ZoneModule 1 - VAV Supply 2 Max. Air Flow	%	1010	0	10000	Zone no. 1 - Max. supply air volume, VAV damper 2 [1/100%]
ZoneModule 1 - VAV Extract Min. Air Flow	%	1011	0	10000	Zone no. 1 - Min. extract air volume [1/100%]
ZoneModule 1 - VAV Extract Max. Air Flow	%	1012	0	10000	Zone no. 1 - Max. extract air volume [1/100%]

NAME (Analog Value)	UNIT	Object		MIN	MAX	REMARKS
		Instance				
ZoneModule 2 - Room Temperature Setpoint	°C	1101		500	3500	Zone no. 2 - Room temperature setpoint [1/100°C]
ZoneModule 2 - Minimum Supply Temperature	°C	1102		1000	3000	Zone no. 2 - Min. supply temperature setpoint [1/100°C]
ZoneModule 2 - Maximum Supply Temperature	°C	1103		1000	6000	Zone no. 2 - Max. supply temperature setpoint [1/100°C]
ZoneModule 2 - Room CO2 Setpoint	ppm	1104		100	5000	Zone no. 2 - CO2 setpoint [ppm]
ZoneModule 2 - Room RH Setpoint	%	1105		0	10000	Zone no. 2 - Relative humidity setpoint [1/100%rh]
ZoneModule 2 - VAV Supply PIR Min. Air Flow	%	1106		0	10000	Zone no. 2 - Min. Supply air volume, when zone is active [1/100%]
ZoneModule 2 - VAV Supply 1 Min. Air Flow	%	1107		0	10000	Zone no. 2 - Min. supply air volume, VAV damper 1 [1/100%]
ZoneModule 2 - VAV Supply 1 Max. Air Flow	%	1108		0	10000	Zone no. 2 - Max. supply air volume, VAV damper 1 [1/100%]
ZoneModule 2 - VAV Supply 2 Min. Air Flow	%	1109		0	10000	Zone no. 2 - Min. supply air volume, VAV damper 2 [1/100%]
ZoneModule 2 - VAV Supply 2 Max. Air Flow	%	1110		0	10000	Zone no. 2 - Max. supply air volume, VAV damper 2 [1/100%]
ZoneModule 2 - VAV Extract Min. Air Flow	%	1111		0	10000	Zone no. 2 - Min. extract air volume [1/100%]
ZoneModule 2 - VAV Extract Max. Air Flow	%	1112		0	10000	Zone no. 2 - Max. extract air volume [1/100%]
ZoneModule 3 - Room Temperature Setpoint	°C	1201		500	3500	Zone no. 3 - Room temperature setpoint [1/100°C]
ZoneModule 3 - Minimum Supply Temperature	°C	1202		1000	3000	Zone no. 3 - Min. supply temperature setpoint [1/100°C]
ZoneModule 3 - Maximum Supply Temperature	°C	1203		1000	6000	Zone no. 3 - Max. supply temperature setpoint [1/100°C]
ZoneModule 3 - Room CO2 Setpoint	ppm	1204		100	5000	Zone no. 3 - CO2 setpoint [ppm]
ZoneModule 3 - Room RH Setpoint	%	1205		0	10000	Zone no. 3 - Relative humidity setpoint [1/100%rh]
ZoneModule 3 - VAV Supply PIR Min. Air Flow	%	1206		0	10000	Zone no. 3 - Min. Supply air volume, when zone is active [1/100%]
ZoneModule 3 - VAV Supply 1 Min. Air Flow	%	1207		0	10000	Zone no. 3 - Min. supply air volume, VAV damper 1 [1/100%]
ZoneModule 3 - VAV Supply 1 Max. Air Flow	%	1208		0	10000	Zone no. 3 - Max. supply air volume, VAV damper 1 [1/100%]
ZoneModule 3 - VAV Supply 2 Min. Air Flow	%	1209		0	10000	Zone no. 3 - Min. supply air volume, VAV damper 2 [1/100%]
ZoneModule 3 - VAV Supply 2 Max. Air Flow	%	1210		0	10000	Zone no. 3 - Max. supply air volume, VAV damper 2 [1/100%]
ZoneModule 3 - VAV Extract Min. Air Flow	%	1211		0	10000	Zone no. 3 - Min. extract air volume [1/100%]
ZoneModule 3 - VAV Extract Max. Air Flow	%	1212		0	10000	Zone no. 3 - Max. extract air volume [1/100%]
ZoneModule 4 - Room Temperature Setpoint	°C	1301		500	3500	Zone no. 4 - Room temperature setpoint [1/100°C]
ZoneModule 4 - Minimum Supply Temperature	°C	1302		1000	3000	Zone no. 4 - Min. supply temperature setpoint [1/100°C]
ZoneModule 4 - Maximum Supply Temperature	°C	1303		1000	6000	Zone no. 4 - Max. supply temperature setpoint [1/100°C]
ZoneModule 4 - Room CO2 Setpoint	ppm	1304		100	5000	Zone no. 4 - CO2 setpoint [ppm]
ZoneModule 4 - Room RH Setpoint	%	1305		0	10000	Zone no. 4 - Relative humidity setpoint [1/100%rh]
ZoneModule 4 - VAV Supply PIR Min. Air Flow	%	1306		0	10000	Zone no. 4 - Min. Supply air volume, when zone is active [1/100%]
ZoneModule 4 - VAV Supply 1 Min. Air Flow	%	1307		0	10000	Zone no. 4 - Min. supply air volume, VAV damper 1 [1/100%]
ZoneModule 4 - VAV Supply 1 Max. Air Flow	%	1308		0	10000	Zone no. 4 - Max. supply air volume, VAV damper 1 [1/100%]
ZoneModule 4 - VAV Supply 2 Min. Air Flow	%	1309		0	10000	Zone no. 4 - Min. supply air volume, VAV damper 2 [1/100%]
ZoneModule 4 - VAV Supply 2 Max. Air Flow	%	1310		0	10000	Zone no. 4 - Max. supply air volume, VAV damper 2 [1/100%]
ZoneModule 4 - VAV Extract Min. Air Flow	%	1311		0	10000	Zone no. 4 - Min. extract air volume [1/100%]
ZoneModule 4 - VAV Extract Max. Air Flow	%	1312		0	10000	Zone no. 4 - Max. extract air volume [1/100%]

NAME (Analog Value)	UNIT	Object		MIN	MAX	REMARKS
		Instance				
ZoneModule 5 - Room Temperature Setpoint	°C	1401		500	3500	Zone no. 5 - Room temperature setpoint [1/100°C]
ZoneModule 5 - Minimum Supply Temperature	°C	1402		1000	3000	Zone no. 5 - Min. supply temperature setpoint [1/100°C]
ZoneModule 5 - Maximum Supply Temperature	°C	1403		1000	6000	Zone no. 5 - Max. supply temperature setpoint [1/100°C]
ZoneModule 5 - Room CO2 Setpoint	ppm	1404		100	5000	Zone no. 5 - CO2 setpoint [ppm]
ZoneModule 5 - Room RH Setpoint	%	1405		0	10000	Zone no. 5 - Relative humidity setpoint [1/100%rh]
ZoneModule 5 - VAV Supply PIR Min. Air Flow	%	1406		0	10000	Zone no. 5 - Min. Supply air volume, when zone is active [1/100%]
ZoneModule 5 - VAV Supply 1 Min. Air Flow	%	1407		0	10000	Zone no. 5 - Min. supply air volume, VAV damper 1 [1/100%]
ZoneModule 5 - VAV Supply 1 Max. Air Flow	%	1408		0	10000	Zone no. 5 - Max. supply air volume, VAV damper 1 [1/100%]
ZoneModule 5 - VAV Supply 2 Min. Air Flow	%	1409		0	10000	Zone no. 5 - Min. supply air volume, VAV damper 2 [1/100%]
ZoneModule 5 - VAV Supply 2 Max. Air Flow	%	1410		0	10000	Zone no. 5 - Max. supply air volume, VAV damper 2 [1/100%]
ZoneModule 5 - VAV Extract Min. Air Flow	%	1411		0	10000	Zone no. 5 - Min. extract air volume [1/100%]
ZoneModule 5 - VAV Extract Max. Air Flow	%	1412		0	10000	Zone no. 5 - Max. extract air volume [1/100%]
ZoneModule 6 - Room Temperature Setpoint	°C	1501		500	3500	Zone no. 6 - Room temperature setpoint [1/100°C]
ZoneModule 6 - Minimum Supply Temperature	°C	1502		1000	3000	Zone no. 6 - Min. supply temperature setpoint [1/100°C]
ZoneModule 6 - Maximum Supply Temperature	°C	1503		1000	6000	Zone no. 6 - Max. supply temperature setpoint [1/100°C]
ZoneModule 6 - Room CO2 Setpoint	ppm	1504		100	5000	Zone no. 6 - CO2 setpoint [ppm]
ZoneModule 6 - Room RH Setpoint	%	1505		0	10000	Zone no. 6 - Relative humidity setpoint [1/100%rh]
ZoneModule 6 - VAV Supply PIR Min. Air Flow	%	1506		0	10000	Zone no. 6 - Min. Supply air volume, when zone is active [1/100%]
ZoneModule 6 - VAV Supply 1 Min. Air Flow	%	1507		0	10000	Zone no. 6 - Min. supply air volume, VAV damper 1 [1/100%]
ZoneModule 6 - VAV Supply 1 Max. Air Flow	%	1508		0	10000	Zone no. 6 - Max. supply air volume, VAV damper 1 [1/100%]
ZoneModule 6 - VAV Supply 2 Min. Air Flow	%	1509		0	10000	Zone no. 6 - Min. supply air volume, VAV damper 2 [1/100%]
ZoneModule 6 - VAV Supply 2 Max. Air Flow	%	1510		0	10000	Zone no. 6 - Max. supply air volume, VAV damper 2 [1/100%]
ZoneModule 6 - VAV Extract Min. Air Flow	%	1511		0	10000	Zone no. 6 - Min. extract air volume [1/100%]
ZoneModule 6 - VAV Extract Max. Air Flow	%	1512		0	10000	Zone no. 6 - Max. extract air volume [1/100%]
ZoneModule 7 - Room Temperature Setpoint	°C	1601		500	3500	Zone no. 7 - Room temperature setpoint [1/100°C]
ZoneModule 7 - Minimum Supply Temperature	°C	1602		1000	3000	Zone no. 7 - Min. supply temperature setpoint [1/100°C]
ZoneModule 7 - Maximum Supply Temperature	°C	1603		1000	6000	Zone no. 7 - Max. supply temperature setpoint [1/100°C]
ZoneModule 7 - Room CO2 Setpoint	ppm	1604		100	5000	Zone no. 7 - CO2 setpoint [ppm]
ZoneModule 7 - Room RH Setpoint	%	1605		0	10000	Zone no. 7 - Relative humidity setpoint [1/100%rh]
ZoneModule 7 - VAV Supply PIR Min. Air Flow	%	1606		0	10000	Zone no. 7 - Min. Supply air volume, when zone is active [1/100%]
ZoneModule 7 - VAV Supply 1 Min. Air Flow	%	1607		0	10000	Zone no. 7 - Min. supply air volume, VAV damper 1 [1/100%]
ZoneModule 7 - VAV Supply 1 Max. Air Flow	%	1608		0	10000	Zone no. 7 - Max. supply air volume, VAV damper 1 [1/100%]
ZoneModule 7 - VAV Supply 2 Min. Air Flow	%	1609		0	10000	Zone no. 7 - Min. supply air volume, VAV damper 2 [1/100%]
ZoneModule 7 - VAV Supply 2 Max. Air Flow	%	1610		0	10000	Zone no. 7 - Max. supply air volume, VAV damper 2 [1/100%]
ZoneModule 7 - VAV Extract Min. Air Flow	%	1611		0	10000	Zone no. 7 - Min. extract air volume [1/100%]
ZoneModule 7 - VAV Extract Max. Air Flow	%	1612		0	10000	Zone no. 7 - Max. extract air volume [1/100%]

NAME (Analog Value)	UNIT	Object		MIN	MAX	REMARKS
		Instance				
ZoneModule 8 - Room Temperature Setpoint	°C	1701		500	3500	Zone no. 8 - Room temperature setpoint [1/100°C]
ZoneModule 8 - Minimum Supply Temperature	°C	1702		1000	3000	Zone no. 8 - Min. supply temperature setpoint [1/100°C]
ZoneModule 8 - Maximum Supply Temperature	°C	1703		1000	6000	Zone no. 8 - Max. supply temperature setpoint [1/100°C]
ZoneModule 8 - Room CO2 Setpoint	ppm	1704		100	5000	Zone no. 8 - CO2 setpoint [ppm]
ZoneModule 8 - Room RH Setpoint	%	1705		0	10000	Zone no. 8 - Relative humidity setpoint [1/100%rh]
ZoneModule 8 - VAV Supply PIR Min. Air Flow	%	1706		0	10000	Zone no. 8 - Min. Supply air volume, when zone is active [1/100%]
ZoneModule 8 - VAV Supply 1 Min. Air Flow	%	1707		0	10000	Zone no. 8 - Min. supply air volume, VAV damper 1 [1/100%]
ZoneModule 8 - VAV Supply 1 Max. Air Flow	%	1708		0	10000	Zone no. 8 - Max. supply air volume, VAV damper 1 [1/100%]
ZoneModule 8 - VAV Supply 2 Min. Air Flow	%	1709		0	10000	Zone no. 8 - Min. supply air volume, VAV damper 2 [1/100%]
ZoneModule 8 - VAV Supply 2 Max. Air Flow	%	1710		0	10000	Zone no. 8 - Max. supply air volume, VAV damper 2 [1/100%]
ZoneModule 8 - VAV Extract Min. Air Flow	%	1711		0	10000	Zone no. 8 - Min. extract air volume [1/100%]
ZoneModule 8 - VAV Extract Max. Air Flow	%	1712		0	10000	Zone no. 8 - Max. extract air volume [1/100%]
ZoneModule 9 - Room Temperature Setpoint	°C	1801		500	3500	Zone no. 9 - Room temperature setpoint [1/100°C]
ZoneModule 9 - Minimum Supply Temperature	°C	1802		1000	3000	Zone no. 9 - Min. supply temperature setpoint [1/100°C]
ZoneModule 9 - Maximum Supply Temperature	°C	1803		1000	6000	Zone no. 9 - Max. supply temperature setpoint [1/100°C]
ZoneModule 9 - Room CO2 Setpoint	ppm	1804		100	5000	Zone no. 9 - CO2 setpoint [ppm]
ZoneModule 9 - Room RH Setpoint	%	1805		0	10000	Zone no. 9 - Relative humidity setpoint [1/100%rh]
ZoneModule 9 - VAV Supply PIR Min. Air Flow	%	1806		0	10000	Zone no. 9 - Min. Supply air volume, when zone is active [1/100%]
ZoneModule 9 - VAV Supply 1 Min. Air Flow	%	1807		0	10000	Zone no. 9 - Min. supply air volume, VAV damper 1 [1/100%]
ZoneModule 9 - VAV Supply 1 Max. Air Flow	%	1808		0	10000	Zone no. 9 - Max. supply air volume, VAV damper 1 [1/100%]
ZoneModule 9 - VAV Supply 2 Min. Air Flow	%	1809		0	10000	Zone no. 9 - Min. supply air volume, VAV damper 2 [1/100%]
ZoneModule 9 - VAV Supply 2 Max. Air Flow	%	1810		0	10000	Zone no. 9 - Max. supply air volume, VAV damper 2 [1/100%]
ZoneModule 9 - VAV Extract Min. Air Flow	%	1811		0	10000	Zone no. 9 - Min. extract air volume [1/100%]
ZoneModule 9 - VAV Extract Max. Air Flow	%	1812		0	10000	Zone no. 9 - Max. extract air volume [1/100%]
ZoneModule 10 - Room Temperature Setpoint	°C	1901		500	3500	Zone no. 10 - Room temperature setpoint [1/100°C]
ZoneModule 10 - Minimum Supply Temperature	°C	1902		1000	3000	Zone no. 10 - Min. supply temperature setpoint [1/100°C]
ZoneModule 10 - Maximum Supply Temperature	°C	1903		1000	6000	Zone no. 10 - Max. supply temperature setpoint [1/100°C]
ZoneModule 10 - Room CO2 Setpoint	ppm	1904		100	5000	Zone no. 10 - CO2 setpoint [ppm]
ZoneModule 10 - Room RH Setpoint	%	1905		0	10000	Zone no. 10 - Relative humidity setpoint [1/100%rh]
ZoneModule 10 - VAV Supply PIR Min. Air Flow	%	1906		0	10000	Zone no. 10 - Min. Supply air volume, when zone is active [1/100%]
ZoneModule 10 - VAV Supply 1 Min. Air Flow	%	1907		0	10000	Zone no. 10 - Min. supply air volume, VAV damper 1 [1/100%]
ZoneModule 10 - VAV Supply 1 Max. Air Flow	%	1908		0	10000	Zone no. 10 - Max. supply air volume, VAV damper 1 [1/100%]
ZoneModule 10 - VAV Supply 2 Min. Air Flow	%	1909		0	10000	Zone no. 10 - Min. supply air volume, VAV damper 2 [1/100%]
ZoneModule 10 - VAV Supply 2 Max. Air Flow	%	1910		0	10000	Zone no. 10 - Max. supply air volume, VAV damper 2 [1/100%]
ZoneModule 10 - VAV Extract Min. Air Flow	%	1911		0	10000	Zone no. 10 - Min. extract air volume [1/100%]
ZoneModule 10 - VAV Extract Max. Air Flow	%	1912		0	10000	Zone no. 10 - Max. extract air volume [1/100%]

NAME (Analog Value)	UNIT	Object		MIN	MAX	REMARKS
		Instance				
ZoneModule 11 - Room Temperature Setpoint	°C	2001		500	3500	Zone no. 11 - Room temperature setpoint [1/100°C]
ZoneModule 11 - Minimum Supply Temperature	°C	2002		1000	3000	Zone no. 11 - Min. supply temperature setpoint [1/100°C]
ZoneModule 11 - Maximum Supply Temperature	°C	2003		1000	6000	Zone no. 11 - Max. supply temperature setpoint [1/100°C]
ZoneModule 11 - Room CO2 Setpoint	ppm	2004		100	5000	Zone no. 11 - CO2 setpoint [ppm]
ZoneModule 11 - Room RH Setpoint	%	2005		0	10000	Zone no. 11 - Relative humidity setpoint [1/100%rh]
ZoneModule 11 - VAV Supply PIR Min. Air Flow	%	2006		0	10000	Zone no. 11 - Min. Supply air volume, when zone is active [1/100%]
ZoneModule 11 - VAV Supply 1 Min. Air Flow	%	2007		0	10000	Zone no. 11 - Min. supply air volume, VAV damper 1 [1/100%]
ZoneModule 11 - VAV Supply 1 Max. Air Flow	%	2008		0	10000	Zone no. 11 - Max. supply air volume, VAV damper 1 [1/100%]
ZoneModule 11 - VAV Supply 2 Min. Air Flow	%	2009		0	10000	Zone no. 11 - Min. supply air volume, VAV damper 2 [1/100%]
ZoneModule 11 - VAV Supply 2 Max. Air Flow	%	2010		0	10000	Zone no. 11 - Max. supply air volume, VAV damper 2 [1/100%]
ZoneModule 11 - VAV Extract Min. Air Flow	%	2011		0	10000	Zone no. 11 - Min. extract air volume [1/100%]
ZoneModule 11 - VAV Extract Max. Air Flow	%	2012		0	10000	Zone no. 11 - Max. extract air volume [1/100%]
ZoneModule 12 - Room Temperature Setpoint	°C	2101		500	3500	Zone no. 12 - Room temperature setpoint [1/100°C]
ZoneModule 12 - Minimum Supply Temperature	°C	2102		1000	3000	Zone no. 12 - Min. supply temperature setpoint [1/100°C]
ZoneModule 12 - Maximum Supply Temperature	°C	2103		1000	6000	Zone no. 12 - Max. supply temperature setpoint [1/100°C]
ZoneModule 12 - Room CO2 Setpoint	ppm	2104		100	5000	Zone no. 12 - CO2 setpoint [ppm]
ZoneModule 12 - Room RH Setpoint	%	2105		0	10000	Zone no. 12 - Relative humidity setpoint [1/100%rh]
ZoneModule 12 - VAV Supply PIR Min. Air Flow	%	2106		0	10000	Zone no. 12 - Min. Supply air volume, when zone is active [1/100%]
ZoneModule 12 - VAV Supply 1 Min. Air Flow	%	2107		0	10000	Zone no. 12 - Min. supply air volume, VAV damper 1 [1/100%]
ZoneModule 12 - VAV Supply 1 Max. Air Flow	%	2108		0	10000	Zone no. 12 - Max. supply air volume, VAV damper 1 [1/100%]
ZoneModule 12 - VAV Supply 2 Min. Air Flow	%	2109		0	10000	Zone no. 12 - Min. supply air volume, VAV damper 2 [1/100%]
ZoneModule 12 - VAV Supply 2 Max. Air Flow	%	2110		0	10000	Zone no. 12 - Max. supply air volume, VAV damper 2 [1/100%]
ZoneModule 12 - VAV Extract Min. Air Flow	%	2111		0	10000	Zone no. 12 - Min. extract air volume [1/100%]
ZoneModule 12 - VAV Extract Max. Air Flow	%	2112		0	10000	Zone no. 12 - Max. extract air volume [1/100%]
ZoneModule 13 - Room Temperature Setpoint	°C	2201		500	3500	Zone no. 13 - Room temperature setpoint [1/100°C]
ZoneModule 13 - Minimum Supply Temperature	°C	2202		1000	3000	Zone no. 13 - Min. supply temperature setpoint [1/100°C]
ZoneModule 13 - Maximum Supply Temperature	°C	2203		1000	6000	Zone no. 13 - Max. supply temperature setpoint [1/100°C]
ZoneModule 13 - Room CO2 Setpoint	ppm	2204		100	5000	Zone no. 13 - CO2 setpoint [ppm]
ZoneModule 13 - Room RH Setpoint	%	2205		0	10000	Zone no. 13 - Relative humidity setpoint [1/100%rh]
ZoneModule 13 - VAV Supply PIR Min. Air Flow	%	2206		0	10000	Zone no. 13 - Min. Supply air volume, when zone is active [1/100%]
ZoneModule 13 - VAV Supply 1 Min. Air Flow	%	2207		0	10000	Zone no. 13 - Min. supply air volume, VAV damper 1 [1/100%]
ZoneModule 13 - VAV Supply 1 Max. Air Flow	%	2208		0	10000	Zone no. 13 - Max. supply air volume, VAV damper 1 [1/100%]
ZoneModule 13 - VAV Supply 2 Min. Air Flow	%	2209		0	10000	Zone no. 13 - Min. supply air volume, VAV damper 2 [1/100%]
ZoneModule 13 - VAV Supply 2 Max. Air Flow	%	2210		0	10000	Zone no. 13 - Max. supply air volume, VAV damper 2 [1/100%]
ZoneModule 13 - VAV Extract Min. Air Flow	%	2211		0	10000	Zone no. 13 - Min. extract air volume [1/100%]
ZoneModule 13 - VAV Extract Max. Air Flow	%	2212		0	10000	Zone no. 13 - Max. extract air volume [1/100%]

NAME (Analog Value)	UNIT	Object		MIN	MAX	REMARKS
		Instance				
ZoneModule 14 - Room Temperature Setpoint	°C	2301		500	3500	Zone no. 14 - Room temperature setpoint [1/100°C]
ZoneModule 14 - Minimum Supply Temperature	°C	2302		1000	3000	Zone no. 14 - Min. supply temperature setpoint [1/100°C]
ZoneModule 14 - Maximum Supply Temperature	°C	2303		1000	6000	Zone no. 14 - Max. supply temperature setpoint [1/100°C]
ZoneModule 14 - Room CO2 Setpoint	ppm	2304		100	5000	Zone no. 14 - CO2 setpoint [ppm]
ZoneModule 14 - Room RH Setpoint	%	2305		0	10000	Zone no. 14 - Relative humidity setpoint [1/100%rh]
ZoneModule 14 - VAV Supply PIR Min. Air Flow	%	2306		0	10000	Zone no. 14 - Min. Supply air volume, when zone is active [1/100%]
ZoneModule 14 - VAV Supply 1 Min. Air Flow	%	2307		0	10000	Zone no. 14 - Min. supply air volume, VAV damper 1 [1/100%]
ZoneModule 14 - VAV Supply 1 Max. Air Flow	%	2308		0	10000	Zone no. 14 - Max. supply air volume, VAV damper 1 [1/100%]
ZoneModule 14 - VAV Supply 2 Min. Air Flow	%	2309		0	10000	Zone no. 14 - Min. supply air volume, VAV damper 2 [1/100%]
ZoneModule 14 - VAV Supply 2 Max. Air Flow	%	2310		0	10000	Zone no. 14 - Max. supply air volume, VAV damper 2 [1/100%]
ZoneModule 14 - VAV Extract Min. Air Flow	%	2311		0	10000	Zone no. 14 - Min. extract air volume [1/100%]
ZoneModule 14 - VAV Extract Max. Air Flow	%	2312		0	10000	Zone no. 14 - Max. extract air volume [1/100%]
ZoneModule 15 - Room Temperature Setpoint	°C	2401		500	3500	Zone no. 15 - Room temperature setpoint [1/100°C]
ZoneModule 15 - Minimum Supply Temperature	°C	2402		1000	3000	Zone no. 15 - Min. supply temperature setpoint [1/100°C]
ZoneModule 15 - Maximum Supply Temperature	°C	2403		1000	6000	Zone no. 15 - Max. supply temperature setpoint [1/100°C]
ZoneModule 15 - Room CO2 Setpoint	ppm	2404		100	5000	Zone no. 15 - CO2 setpoint [ppm]
ZoneModule 15 - Room RH Setpoint	%	2405		0	10000	Zone no. 15 - Relative humidity setpoint [1/100%rh]
ZoneModule 15 - VAV Supply PIR Min. Air Flow	%	2406		0	10000	Zone no. 15 - Min. Supply air volume, when zone is active [1/100%]
ZoneModule 15 - VAV Supply 1 Min. Air Flow	%	2407		0	10000	Zone no. 15 - Min. supply air volume, VAV damper 1 [1/100%]
ZoneModule 15 - VAV Supply 1 Max. Air Flow	%	2408		0	10000	Zone no. 15 - Max. supply air volume, VAV damper 1 [1/100%]
ZoneModule 15 - VAV Supply 2 Min. Air Flow	%	2409		0	10000	Zone no. 15 - Min. supply air volume, VAV damper 2 [1/100%]
ZoneModule 15 - VAV Supply 2 Max. Air Flow	%	2410		0	10000	Zone no. 15 - Max. supply air volume, VAV damper 2 [1/100%]
ZoneModule 15 - VAV Extract Min. Air Flow	%	2411		0	10000	Zone no. 15 - Min. extract air volume [1/100%]
ZoneModule 15 - VAV Extract Max. Air Flow	%	2412		0	10000	Zone no. 15 - Max. extract air volume [1/100%]
ZoneModule 16 - Room Temperature Setpoint	°C	2501		500	3500	Zone no. 16 - Room temperature setpoint [1/100°C]
ZoneModule 16 - Minimum Supply Temperature	°C	2502		1000	3000	Zone no. 16 - Min. supply temperature setpoint [1/100°C]
ZoneModule 16 - Maximum Supply Temperature	°C	2503		1000	6000	Zone no. 16 - Max. supply temperature setpoint [1/100°C]
ZoneModule 16 - Room CO2 Setpoint	ppm	2504		100	5000	Zone no. 16 - CO2 setpoint [ppm]
ZoneModule 16 - Room RH Setpoint	%	2505		0	10000	Zone no. 16 - Relative humidity setpoint [1/100%rh]
ZoneModule 16 - VAV Supply PIR Min. Air Flow	%	2506		0	10000	Zone no. 16 - Min. Supply air volume, when zone is active [1/100%]
ZoneModule 16 - VAV Supply 1 Min. Air Flow	%	2507		0	10000	Zone no. 16 - Min. supply air volume, VAV damper 1 [1/100%]
ZoneModule 16 - VAV Supply 1 Max. Air Flow	%	2508		0	10000	Zone no. 16 - Max. supply air volume, VAV damper 1 [1/100%]
ZoneModule 16 - VAV Supply 2 Min. Air Flow	%	2509		0	10000	Zone no. 16 - Min. supply air volume, VAV damper 2 [1/100%]
ZoneModule 16 - VAV Supply 2 Max. Air Flow	%	2510		0	10000	Zone no. 16 - Max. supply air volume, VAV damper 2 [1/100%]
ZoneModule 16 - VAV Extract Min. Air Flow	%	2511		0	10000	Zone no. 16 - Min. extract air volume [1/100%]
ZoneModule 16 - VAV Extract Max. Air Flow	%	2512		0	10000	Zone no. 16 - Max. extract air volume [1/100%]

NAME (Analog Value)	UNIT	Object		MIN	MAX	REMARKS
		Instance				
ZoneModule 17 - Room Temperature Setpoint	°C	2601		500	3500	Zone no. 17 - Room temperature setpoint [1/100°C]
ZoneModule 17 - Minimum Supply Temperature	°C	2602		1000	3000	Zone no. 17 - Min. supply temperature setpoint [1/100°C]
ZoneModule 17 - Maximum Supply Temperature	°C	2603		1000	6000	Zone no. 17 - Max. supply temperature setpoint [1/100°C]
ZoneModule 17 - Room CO2 Setpoint	ppm	2604		100	5000	Zone no. 17 - CO2 setpoint [ppm]
ZoneModule 17 - Room RH Setpoint	%	2605		0	10000	Zone no. 17 - Relative humidity setpoint [1/100%rh]
ZoneModule 17 - VAV Supply PIR Min. Air Flow	%	2606		0	10000	Zone no. 17 - Min. Supply air volume, when zone is active [1/100%]
ZoneModule 17 - VAV Supply 1 Min. Air Flow	%	2607		0	10000	Zone no. 17 - Min. supply air volume, VAV damper 1 [1/100%]
ZoneModule 17 - VAV Supply 1 Max. Air Flow	%	2608		0	10000	Zone no. 17 - Max. supply air volume, VAV damper 1 [1/100%]
ZoneModule 17 - VAV Supply 2 Min. Air Flow	%	2609		0	10000	Zone no. 17 - Min. supply air volume, VAV damper 2 [1/100%]
ZoneModule 17 - VAV Supply 2 Max. Air Flow	%	2610		0	10000	Zone no. 17 - Max. supply air volume, VAV damper 2 [1/100%]
ZoneModule 17 - VAV Extract Min. Air Flow	%	2611		0	10000	Zone no. 17 - Min. extract air volume [1/100%]
ZoneModule 17 - VAV Extract Max. Air Flow	%	2612		0	10000	Zone no. 17 - Max. extract air volume [1/100%]
ZoneModule 18 - Room Temperature Setpoint	°C	2701		500	3500	Zone no. 18 - Room temperature setpoint [1/100°C]
ZoneModule 18 - Minimum Supply Temperature	°C	2702		1000	3000	Zone no. 18 - Min. supply temperature setpoint [1/100°C]
ZoneModule 18 - Maximum Supply Temperature	°C	2703		1000	6000	Zone no. 18 - Max. supply temperature setpoint [1/100°C]
ZoneModule 18 - Room CO2 Setpoint	ppm	2704		100	5000	Zone no. 18 - CO2 setpoint [ppm]
ZoneModule 18 - Room RH Setpoint	%	2705		0	10000	Zone no. 18 - Relative humidity setpoint [1/100%rh]
ZoneModule 18 - VAV Supply PIR Min. Air Flow	%	2706		0	10000	Zone no. 18 - Min. Supply air volume, when zone is active [1/100%]
ZoneModule 18 - VAV Supply 1 Min. Air Flow	%	2707		0	10000	Zone no. 18 - Min. supply air volume, VAV damper 1 [1/100%]
ZoneModule 18 - VAV Supply 1 Max. Air Flow	%	2708		0	10000	Zone no. 18 - Max. supply air volume, VAV damper 1 [1/100%]
ZoneModule 18 - VAV Supply 2 Min. Air Flow	%	2709		0	10000	Zone no. 18 - Min. supply air volume, VAV damper 2 [1/100%]
ZoneModule 18 - VAV Supply 2 Max. Air Flow	%	2710		0	10000	Zone no. 18 - Max. supply air volume, VAV damper 2 [1/100%]
ZoneModule 18 - VAV Extract Min. Air Flow	%	2711		0	10000	Zone no. 18 - Min. extract air volume [1/100%]
ZoneModule 18 - VAV Extract Max. Air Flow	%	2712		0	10000	Zone no. 18 - Max. extract air volume [1/100%]
ZoneModule 19 - Room Temperature Setpoint	°C	2801		500	3500	Zone no. 19 - Room temperature setpoint [1/100°C]
ZoneModule 19 - Minimum Supply Temperature	°C	2802		1000	3000	Zone no. 19 - Min. supply temperature setpoint [1/100°C]
ZoneModule 19 - Maximum Supply Temperature	°C	2803		1000	6000	Zone no. 19 - Max. supply temperature setpoint [1/100°C]
ZoneModule 19 - Room CO2 Setpoint	ppm	2804		100	5000	Zone no. 19 - CO2 setpoint [ppm]
ZoneModule 19 - Room RH Setpoint	%	2805		0	10000	Zone no. 19 - Relative humidity setpoint [1/100%rh]
ZoneModule 19 - VAV Supply PIR Min. Air Flow	%	2806		0	10000	Zone no. 19 - Min. Supply air volume, when zone is active [1/100%]
ZoneModule 19 - VAV Supply 1 Min. Air Flow	%	2807		0	10000	Zone no. 19 - Min. supply air volume, VAV damper 1 [1/100%]
ZoneModule 19 - VAV Supply 1 Max. Air Flow	%	2808		0	10000	Zone no. 19 - Max. supply air volume, VAV damper 1 [1/100%]
ZoneModule 19 - VAV Supply 2 Min. Air Flow	%	2809		0	10000	Zone no. 19 - Min. supply air volume, VAV damper 2 [1/100%]
ZoneModule 19 - VAV Supply 2 Max. Air Flow	%	2810		0	10000	Zone no. 19 - Max. supply air volume, VAV damper 2 [1/100%]
ZoneModule 19 - VAV Extract Min. Air Flow	%	2811		0	10000	Zone no. 19 - Min. extract air volume [1/100%]
ZoneModule 19 - VAV Extract Max. Air Flow	%	2812		0	10000	Zone no. 19 - Max. extract air volume [1/100%]

NAME (Analog Value)	UNIT	Object		MIN	MAX	REMARKS
		Instance				
ZoneModule 20 - Room Temperature Setpoint	°C	2901		500	3500	Zone no. 20 - Room temperature setpoint [1/100°C]
ZoneModule 20 - Minimum Supply Temperature	°C	2902		1000	3000	Zone no. 20 - Min. supply temperature setpoint [1/100°C]
ZoneModule 20 - Maximum Supply Temperature	°C	2903		1000	6000	Zone no. 20 - Max. supply temperature setpoint [1/100°C]
ZoneModule 20 - Room CO2 Setpoint	ppm	2904		100	5000	Zone no. 20 - CO2 setpoint [ppm]
ZoneModule 20 - Room RH Setpoint	%	2905		0	10000	Zone no. 20 - Relative humidity setpoint [1/100%rh]
ZoneModule 20 - VAV Supply PIR Min. Air Flow	%	2906		0	10000	Zone no. 20 - Min. Supply air volume, when zone is active [1/100%]
ZoneModule 20 - VAV Supply 1 Min. Air Flow	%	2907		0	10000	Zone no. 20 - Min. supply air volume, VAV damper 1 [1/100%]
ZoneModule 20 - VAV Supply 1 Max. Air Flow	%	2908		0	10000	Zone no. 20 - Max. supply air volume, VAV damper 1 [1/100%]
ZoneModule 20 - VAV Supply 2 Min. Air Flow	%	2909		0	10000	Zone no. 20 - Min. supply air volume, VAV damper 2 [1/100%]
ZoneModule 20 - VAV Supply 2 Max. Air Flow	%	2910		0	10000	Zone no. 20 - Max. supply air volume, VAV damper 2 [1/100%]
ZoneModule 20 - VAV Extract Min. Air Flow	%	2911		0	10000	Zone no. 20 - Min. extract air volume [1/100%]
ZoneModule 20 - VAV Extract Max. Air Flow	%	2912		0	10000	Zone no. 20 - Max. extract air volume [1/100%]
ZoneModule 21 - Room Temperature Setpoint	°C	3001		500	3500	Zone no. 21 - Room temperature setpoint [1/100°C]
ZoneModule 21 - Minimum Supply Temperature	°C	3002		1000	3000	Zone no. 21 - Min. supply temperature setpoint [1/100°C]
ZoneModule 21 - Maximum Supply Temperature	°C	3003		1000	6000	Zone no. 21 - Max. supply temperature setpoint [1/100°C]
ZoneModule 21 - Room CO2 Setpoint	ppm	3004		100	5000	Zone no. 21 - CO2 setpoint [ppm]
ZoneModule 21 - Room RH Setpoint	%	3005		0	10000	Zone no. 21 - Relative humidity setpoint [1/100%rh]
ZoneModule 21 - VAV Supply PIR Min. Air Flow	%	3006		0	10000	Zone no. 21 - Min. Supply air volume, when zone is active [1/100%]
ZoneModule 21 - VAV Supply 1 Min. Air Flow	%	3007		0	10000	Zone no. 21 - Min. supply air volume, VAV damper 1 [1/100%]
ZoneModule 21 - VAV Supply 1 Max. Air Flow	%	3008		0	10000	Zone no. 21 - Max. supply air volume, VAV damper 1 [1/100%]
ZoneModule 21 - VAV Supply 2 Min. Air Flow	%	3009		0	10000	Zone no. 21 - Min. supply air volume, VAV damper 2 [1/100%]
ZoneModule 21 - VAV Supply 2 Max. Air Flow	%	3010		0	10000	Zone no. 21 - Max. supply air volume, VAV damper 2 [1/100%]
ZoneModule 21 - VAV Extract Min. Air Flow	%	3011		0	10000	Zone no. 21 - Min. extract air volume [1/100%]
ZoneModule 21 - VAV Extract Max. Air Flow	%	3012		0	10000	Zone no. 21 - Max. extract air volume [1/100%]
ZoneModule 22 - Room Temperature Setpoint	°C	3101		500	3500	Zone no. 22 - Room temperature setpoint [1/100°C]
ZoneModule 22 - Minimum Supply Temperature	°C	3102		1000	3000	Zone no. 22 - Min. supply temperature setpoint [1/100°C]
ZoneModule 22 - Maximum Supply Temperature	°C	3103		1000	6000	Zone no. 22 - Max. supply temperature setpoint [1/100°C]
ZoneModule 22 - Room CO2 Setpoint	ppm	3104		100	5000	Zone no. 22 - CO2 setpoint [ppm]
ZoneModule 22 - Room RH Setpoint	%	3105		0	10000	Zone no. 22 - Relative humidity setpoint [1/100%rh]
ZoneModule 22 - VAV Supply PIR Min. Air Flow	%	3106		0	10000	Zone no. 22 - Min. Supply air volume, when zone is active [1/100%]
ZoneModule 22 - VAV Supply 1 Min. Air Flow	%	3107		0	10000	Zone no. 22 - Min. supply air volume, VAV damper 1 [1/100%]
ZoneModule 22 - VAV Supply 1 Max. Air Flow	%	3108		0	10000	Zone no. 22 - Max. supply air volume, VAV damper 1 [1/100%]
ZoneModule 22 - VAV Supply 2 Min. Air Flow	%	3109		0	10000	Zone no. 22 - Min. supply air volume, VAV damper 2 [1/100%]
ZoneModule 22 - VAV Supply 2 Max. Air Flow	%	3110		0	10000	Zone no. 22 - Max. supply air volume, VAV damper 2 [1/100%]
ZoneModule 22 - VAV Extract Min. Air Flow	%	3111		0	10000	Zone no. 22 - Min. extract air volume [1/100%]
ZoneModule 22 - VAV Extract Max. Air Flow	%	3112		0	10000	Zone no. 22 - Max. extract air volume [1/100%]

NAME (Analog Value)	UNIT	Object		MIN	MAX	REMARKS
		Instance				
ZoneModule 23 - Room Temperature Setpoint	°C	3201		500	3500	Zone no. 23 - Room temperature setpoint [1/100°C]
ZoneModule 23 - Minimum Supply Temperature	°C	3202		1000	3000	Zone no. 23 - Min. supply temperature setpoint [1/100°C]
ZoneModule 23 - Maximum Supply Temperature	°C	3203		1000	6000	Zone no. 23 - Max. supply temperature setpoint [1/100°C]
ZoneModule 23 - Room CO2 Setpoint	ppm	3204		100	5000	Zone no. 23 - CO2 setpoint [ppm]
ZoneModule 23 - Room RH Setpoint	%	3205		0	10000	Zone no. 23 - Relative humidity setpoint [1/100%rh]
ZoneModule 23 - VAV Supply PIR Min. Air Flow	%	3206		0	10000	Zone no. 23 - Min. Supply air volume, when zone is active [1/100%]
ZoneModule 23 - VAV Supply 1 Min. Air Flow	%	3207		0	10000	Zone no. 23 - Min. supply air volume, VAV damper 1 [1/100%]
ZoneModule 23 - VAV Supply 1 Max. Air Flow	%	3208		0	10000	Zone no. 23 - Max. supply air volume, VAV damper 1 [1/100%]
ZoneModule 23 - VAV Supply 2 Min. Air Flow	%	3209		0	10000	Zone no. 23 - Min. supply air volume, VAV damper 2 [1/100%]
ZoneModule 23 - VAV Supply 2 Max. Air Flow	%	3210		0	10000	Zone no. 23 - Max. supply air volume, VAV damper 2 [1/100%]
ZoneModule 23 - VAV Extract Min. Air Flow	%	3211		0	10000	Zone no. 23 - Min. extract air volume [1/100%]
ZoneModule 23 - VAV Extract Max. Air Flow	%	3212		0	10000	Zone no. 23 - Max. extract air volume [1/100%]
ZoneModule 24 - Room Temperature Setpoint	°C	3301		500	3500	Zone no. 24 - Room temperature setpoint [1/100°C]
ZoneModule 24 - Minimum Supply Temperature	°C	3302		1000	3000	Zone no. 24 - Min. supply temperature setpoint [1/100°C]
ZoneModule 24 - Maximum Supply Temperature	°C	3303		1000	6000	Zone no. 24 - Max. supply temperature setpoint [1/100°C]
ZoneModule 24 - Room CO2 Setpoint	ppm	3304		100	5000	Zone no. 24 - CO2 setpoint [ppm]
ZoneModule 24 - Room RH Setpoint	%	3305		0	10000	Zone no. 24 - Relative humidity setpoint [1/100%rh]
ZoneModule 24 - VAV Supply PIR Min. Air Flow	%	3306		0	10000	Zone no. 24 - Min. Supply air volume, when zone is active [1/100%]
ZoneModule 24 - VAV Supply 1 Min. Air Flow	%	3307		0	10000	Zone no. 24 - Min. supply air volume, VAV damper 1 [1/100%]
ZoneModule 24 - VAV Supply 1 Max. Air Flow	%	3308		0	10000	Zone no. 24 - Max. supply air volume, VAV damper 1 [1/100%]
ZoneModule 24 - VAV Supply 2 Min. Air Flow	%	3309		0	10000	Zone no. 24 - Min. supply air volume, VAV damper 2 [1/100%]
ZoneModule 24 - VAV Supply 2 Max. Air Flow	%	3310		0	10000	Zone no. 24 - Max. supply air volume, VAV damper 2 [1/100%]
ZoneModule 24 - VAV Extract Min. Air Flow	%	3311		0	10000	Zone no. 24 - Min. extract air volume [1/100%]
ZoneModule 24 - VAV Extract Max. Air Flow	%	3312		0	10000	Zone no. 24 - Max. extract air volume [1/100%]
ZoneModule 25 - Room Temperature Setpoint	°C	3401		500	3500	Zone no. 25 - Room temperature setpoint [1/100°C]
ZoneModule 25 - Minimum Supply Temperature	°C	3402		1000	3000	Zone no. 25 - Min. supply temperature setpoint [1/100°C]
ZoneModule 25 - Maximum Supply Temperature	°C	3403		1000	6000	Zone no. 25 - Max. supply temperature setpoint [1/100°C]
ZoneModule 25 - Room CO2 Setpoint	ppm	3404		100	5000	Zone no. 25 - CO2 setpoint [ppm]
ZoneModule 25 - Room RH Setpoint	%	3405		0	10000	Zone no. 25 - Relative humidity setpoint [1/100%rh]
ZoneModule 25 - VAV Supply PIR Min. Air Flow	%	3406		0	10000	Zone no. 25 - Min. Supply air volume, when zone is active [1/100%]
ZoneModule 25 - VAV Supply 1 Min. Air Flow	%	3407		0	10000	Zone no. 25 - Min. supply air volume, VAV damper 1 [1/100%]
ZoneModule 25 - VAV Supply 1 Max. Air Flow	%	3408		0	10000	Zone no. 25 - Max. supply air volume, VAV damper 1 [1/100%]
ZoneModule 25 - VAV Supply 2 Min. Air Flow	%	3409		0	10000	Zone no. 25 - Min. supply air volume, VAV damper 2 [1/100%]
ZoneModule 25 - VAV Supply 2 Max. Air Flow	%	3410		0	10000	Zone no. 25 - Max. supply air volume, VAV damper 2 [1/100%]
ZoneModule 25 - VAV Extract Min. Air Flow	%	3411		0	10000	Zone no. 25 - Min. extract air volume [1/100%]
ZoneModule 25 - VAV Extract Max. Air Flow	%	3412		0	10000	Zone no. 25 - Max. extract air volume [1/100%]