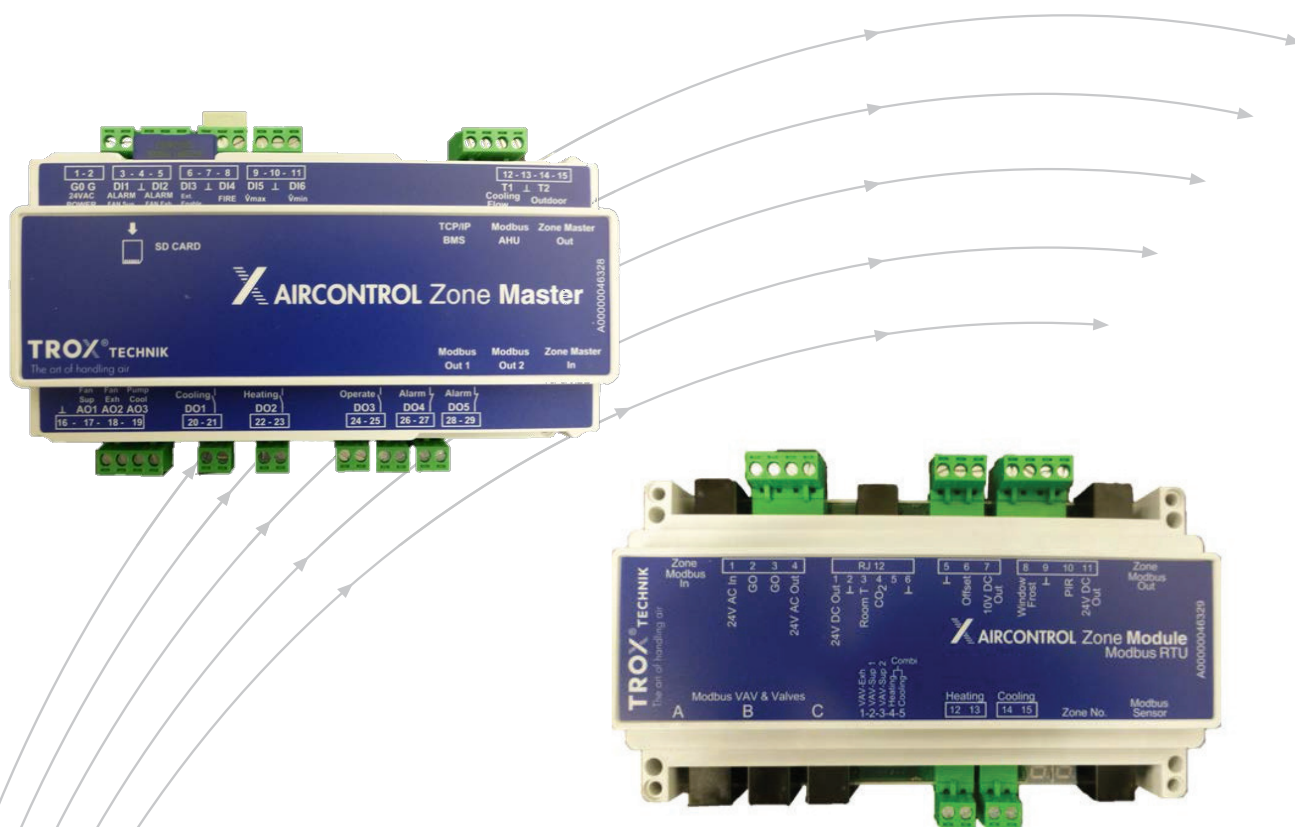


Modbus Protocol

The intelligent solution for VAV Zone control
X-AIRCONTROL



TROX[®] TECHNIK

Auranor

TROX Auranor Norge AS

Postboks 100
2712 Brandbu

Telefon +47 61 31 35 00

Telefaks +47 61 31 35 10

e-post: firmapost@auranor.no

www.trox.no

X-AIRCONTROL Master

1 x RJ45 TCP/IP for Modbus connection to BMS system

Fig. 1 X-AIRCONTROL Master, RJ45 Modbus TCP/IP BMS

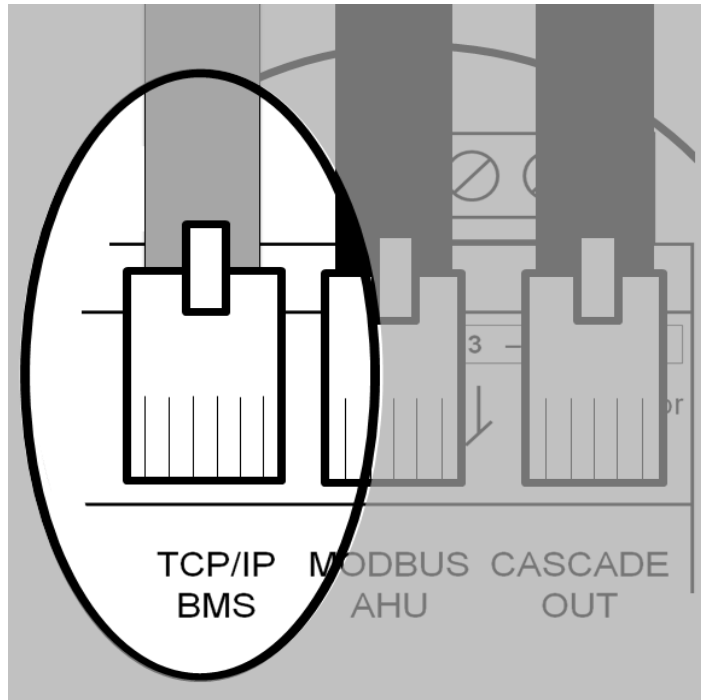
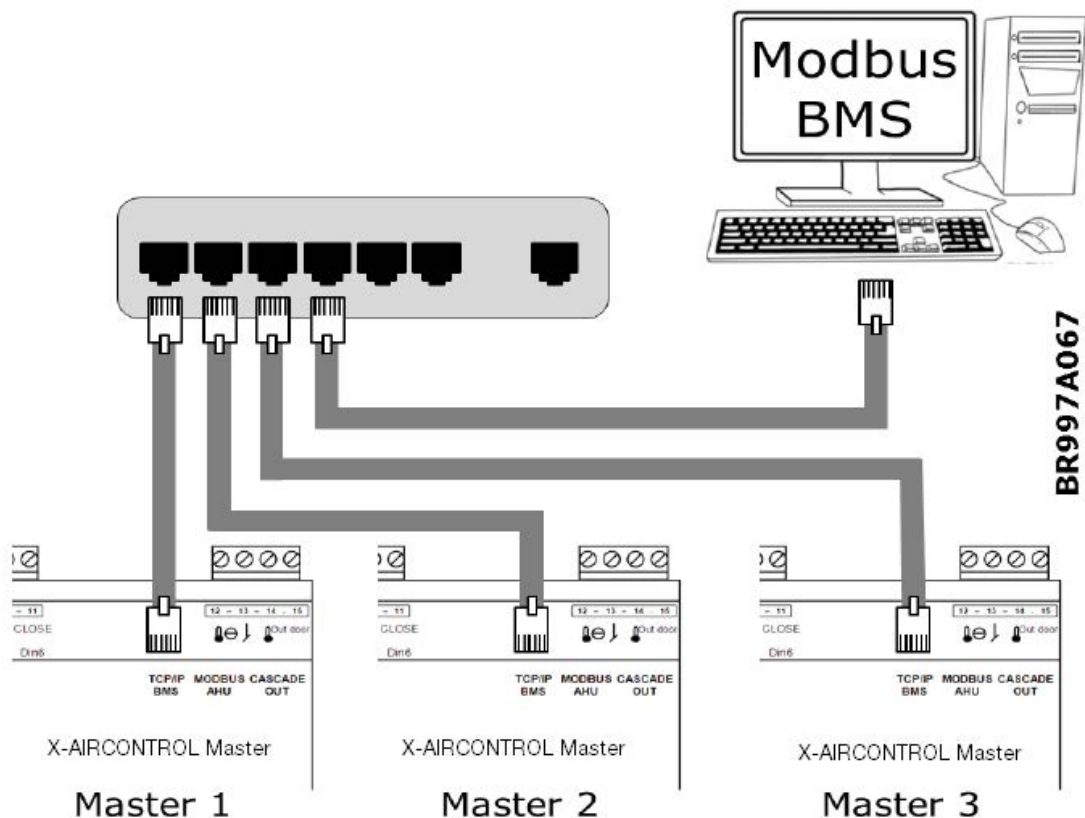


Fig. 2 Several X-AIRCONTROL Masters in a Modbus TCP/IP BMS system



Modbus TCP-IP

X-AIRCONTROL Master, Program Version 1.00 and subsequent versions.

Introduction

With the built-in Modbus TCP/IP protocol, it is possible to monitor, manage and control an X-AIRCONTROL system from a BMS system.

Communication

TCP/IP: 1 x 10/100 Mbit Ethernet, RJ45 connector

Port: 502

IP address: The same as the X-AIRCONTROL Master's Web server.

Modbus data format

Modbus data types are 1-bit values and 16-bit values.

ModBus Type	Description	Reference
Coil Status (R/W)	Discrete Output	0x
Input Status (R)	Discrete Input	1x
Holding Register (R/W)	16-bit Output Register	4x
Input register (R)	16-bit Input Register	3x

R = Read Only

R/W = Read/Write

Supported Modbus commands

X-AIRCONTROL Master supports the following Modbus commands.

Function code	Description
01	Read Coil Status
02	Read Input Status
03	Read Holding Registers
04	Read Input Registers
05	Force Single Coil
06	Present Single Registers
08	Diagnostics.Sub-funktion 00 Only - Return Query Data (loop back).
15	Force Multiple Coils
16	Preset Multiple Registers

Coil Status (R/W)

NAME	UNIT	ADDRESS	REGISTER	MIN.	MAX.	COMMENTS
Automatic Daylight Saving Time	n/a	0	0x0001	0	1	Automatic summer/winter time [1=Yes/0=No]
Summer/Winter Compensation Enable	n/a	100	0x0101	0	1	Summer/winter compensation [1=Yes/0=No]

n/a= not available

Input Status (R)

NAME	UNIT	ADDRESS	REGISTER	MIN.	MAX.	COMMENTS
AHU Heating Pump State		100	1x0101	0	1	Circulation pump, heat supply [1=start/0=stop]
Section PIR Status		300	1x0301	0	1	PIR status [1=min. 1 X-AIRCONTROL activated via PIR sensor, 0=none activated]
Section Frost Protection Status		301	1x0302	0	1	Frost status [1=frost alarm, min. 1 frost thermostat in X-AIRCONTROL system activated, 0=none activated]
ZoneModule 1 - Window/Frost Value		1000	1x1001	0	1	Zone 1 - Status of input "Window/Frost" * If input is config. for window contact [0=window closed, 1=window open] * If input is config. for frost thermostat: [0=no frost alarm, 1=frost alarm]
ZoneModule 1 - PIR Active Flag		1001	1x1002	0	1	Zone 1 - PIR motion sensor [1=active, 0=not active]
ZoneModule 1 - Room Temp Sensor Short Circuit Flag		1002	1x1003	0	1	Zone 1 - Room temperature sensor short-circuited [1=active, 0=not active]
ZoneModule 1 - Supply Temp Sensor Short Circuit Flag		1003	1x1004	0	1	Zone 1 - Inlet temperature sensor short-circuited [1=active, 0=not active]
ZoneModule 2 - Window/Frost Value		1100	1x1101	0	1	Zone 2 - Status of input "Window/Frost" * If input is config. for window contact [0=window closed, 1=window open] * If input is config. for frost thermostat: [0=no frost alarm, 1=frost alarm]
ZoneModule 2 - PIR Active Flag		1101	1x1102	0	1	Zone 2 - PIR motion sensor [1=active, 0=not active]
ZoneModule 2 - Room Temp Sensor Short Circuit Flag		1102	1x1103	0	1	Zone 2 - Room temperature sensor short-circuited [1=active, 0=not active]
ZoneModule 2 - Supply Temp Sensor Short Circuit Flag		1103	1x1104	0	1	Zone 2 - Inlet temperature sensor short-circuited [1=active, 0=not active]
ZoneModule 3 - Window/Frost Value		1200	1x1201	0	1	Zone 3 - Status of input "Window/Frost" * If input is config. for window contact [0=window closed, 1=window open] * If input is config. for frost thermostat: [0=no frost alarm, 1=frost alarm]
ZoneModule 3 - PIR Active Flag		1201	1x1202	0	1	Zone 3 - PIR motion sensor [1=active, 0=not active]
ZoneModule 3 - Room Temp Sensor Short Circuit Flag		1202	1x1203	0	1	Zone 3 - Room temperature sensor short-circuited [1=active, 0=not active]
ZoneModule 3 - Supply Temp Sensor Short Circuit Flag		1203	1x1204	0	1	Zone 3 - Inlet temperature sensor short-circuited [1=active, 0=not active]
ZoneModule 4 - Window/Frost Value		1300	1x1301	0	1	Zone 4 - Status of input "Window/Frost" * If input is config. for window contact [1=window closed, 0=window open] * If input is config. for frost thermostat: [1=no frost alarm, 0=frost alarm]
ZoneModule 4 - PIR Active Flag		1301	1x1302	0	1	Zone 4 - PIR motion sensor [1=active, 0=not active]
ZoneModule 4 - Room Temp Sensor Short Circuit Flag		1302	1x1303	0	1	Zone 4 - Room temperature sensor short-circuited [1=active, 0=not active]
ZoneModule 4 - Supply Temp Sensor Short Circuit Flag		1303	1x1304	0	1	Zone 4 - Inlet temperature sensor short-circuited [1=active, 0=not active]
ZoneModule 5 - Window/Frost Value		1400	1x1401	0	1	Zone 5 - Status of input "Window/Frost" * If input is config. for window contact [0=window closed, 1=window open] * If input is config. for frost thermostat: [0=no frost alarm, 1=frost alarm]
ZoneModule 5 - PIR Active Flag		1401	1x1402	0	1	Zone 5 - PIR motion sensor [1=active, 0=not active]
ZoneModule 5 - Room Temp Sensor Short Circuit Flag		1402	1x1403	0	1	Zone 5 - Room temperature sensor short-circuited [1=active, 0=not active]
ZoneModule 5 - Supply Temp Sensor Short Circuit Flag		1403	1x1404	0	1	Zone 5 - Inlet temperature sensor short-circuited [1=active, 0=not active]
ZoneModule 6 - Window/Frost Value		1500	1x1501	0	1	Zone 6 - Status of input "Window/Frost" * If input is config. for window contact [0=window closed, 1=window open] * If input is config. for frost thermostat: [0=no frost alarm, 1=frost alarm]
ZoneModule 6 - PIR Active Flag		1501	1x1502	0	1	Zone 6 - PIR motion sensor [1=active, 0=not active]
ZoneModule 6 - Room Temp Sensor Short Circuit Flag		1502	1x1503	0	1	Zone 6 - Room temperature sensor short-circuited [1=active, 0=not active]
ZoneModule 6 - Supply Temp Sensor Short Circuit Flag		1503	1x1504	0	1	Zone 6 - Inlet temperature sensor short-circuited [1=active, 0=not active]

NAME	UNIT	ADDRESS	REGISTER	MIN.	MAX.	COMMENTS
ZoneModule 7 - Window/Frost Value		1600	1x1601	0	1	Zone 7 - Status of input "Window/Frost" * If input is config. for window contact [0=window closed, 1=window open] * If input is config. for frost thermostat: [0=no frost alarm, 1=frost alarm]
ZoneModule 7 - PIR Active Flag		1601	1x1602	0	1	Zone 7 - PIR motion sensor [1=active, 0=not active]
ZoneModule 7 - Room Temp Sensor Short Circuit Flag		1602	1x1603	0	1	Zone 7 - Room temperature sensor short-circuited [1=active, 0=not active]
ZoneModule 7 - Supply Temp Sensor Short Circuit Flag		1603	1x1604	0	1	Zone 7 - Inlet temperature sensor short-circuited [1=active, 0=not active]
ZoneModule 8 - Window/Frost Value		1700	1x1701	0	1	Zone 8 - Status of input "Window/Frost" * If input is config. for window contact [0=window closed, 1=window open] * If input is config. for frost thermostat: [0=no frost alarm, 1=frost alarm]
ZoneModule 8 - PIR Active Flag		1701	1x1702	0	1	Zone 8 - PIR motion sensor [1=active, 0=not active]
ZoneModule 8 - Room Temp Sensor Short Circuit Flag		1702	1x1703	0	1	Zone 8 - Room temperature sensor short-circuited [1=active, 0=not active]
ZoneModule 8 - Supply Temp Sensor Short Circuit Flag		1703	1x1704	0	1	Zone 8 - Inlet temperature sensor short-circuited [1=active, 0=not active]
ZoneModule 9 - Window/Frost Value		1800	1x1801	0	1	Zone 9 - Status of input "Window/Frost" * If input is config. for window contact [0=window closed, 1=window open] * If input is config. for frost thermostat: [0=no frost alarm, 1=frost alarm]
ZoneModule 9 - PIR Active Flag		1801	1x1802	0	1	Zone 9 - PIR motion sensor [1=active, 0=not active]
ZoneModule 9 - Room Temp Sensor Short Circuit Flag		1802	1x1803	0	1	Zone 9 - Room temperature sensor short-circuited [1=active, 0=not active]
ZoneModule 9 - Supply Temp Sensor Short Circuit Flag		1803	1x1804	0	1	Zone 9 - Inlet temperature sensor short-circuited [1=active, 0=not active]
ZoneModule 10 - Window/Frost Value		1900	1x1901	0	1	Zone 10 - Status of input "Window/Frost" * If input is config. for window contact [0=window closed, 1=window open] * If input is config. for frost thermostat: [0=no frost alarm, 1=frost alarm]
ZoneModule 10 - PIR Active Flag		1901	1x1902	0	1	Zone 10 - PIR motion sensor [1=active, 0=not active]
ZoneModule 10 - Room Temp Sensor Short Circuit Flag		1902	1x1903	0	1	Zone 10 - Room temperature sensor short-circuited [1=active, 0=not active]
ZoneModule 10 - Supply Temp Sensor Short Circuit Flag		1903	1x1904	0	1	Zone 10 - Inlet temperature sensor short-circuited [1=active, 0=not active]
ZoneModule 11 - Window/Frost Value		2000	1x2001	0	1	Zone 11 - Status of input "Window/Frost" * If input is config. for window contact [0=window closed, 1=window open] * If input is config. for frost thermostat: [0=no frost alarm, 1=frost alarm]
ZoneModule 11 - PIR Active Flag		2001	1x2002	0	1	Zone 11 - PIR motion sensor [1=active, 0=not active]
ZoneModule 11 - Room Temp Sensor Short Circuit Flag		2002	1x2003	0	1	Zone 11 - Room temperature sensor short-circuited [1=active, 0=not active]
ZoneModule 11 - Supply Temp Sensor Short Circuit Flag		2003	1x2004	0	1	Zone 11 - Inlet temperature sensor short-circuited [1=active, 0=not active]
ZoneModule 12 - Window/Frost Value		2100	1x2101	0	1	Zone 12 - Status of input "Window/Frost" * If input is config. for window contact [0=window closed, 1=window open] * If input is config. for frost thermostat: [0=no frost alarm, 1=frost alarm]
ZoneModule 12 - PIR Active Flag		2101	1x2102	0	1	Zone 12 - PIR motion sensor [1=active, 0=not active]
ZoneModule 12 - Room Temp Sensor Short Circuit Flag		2102	1x2103	0	1	Zone 12 - Room temperature sensor short-circuited [1=active, 0=not active]
ZoneModule 12 - Supply Temp Sensor Short Circuit Flag		2103	1x2104	0	1	Zone 12 - Inlet temperature sensor short-circuited [1=active, 0=not active]
ZoneModule 13 - Window/Frost Value		2200	1x2201	0	1	Zone 13 - Status of input "Window/Frost" * If input is config. for window contact [0=window closed, 1=window open] * If input is config. for frost thermostat: [0=no frost alarm, 1=frost alarm]
ZoneModule 13 - PIR Active Flag		2201	1x2202	0	1	Zone 13 - PIR motion sensor [1=active, 0=not active]
ZoneModule 13 - Room Temp Sensor Short Circuit Flag		2202	1x2203	0	1	Zone 13 - Room temperature sensor short-circuited [1=active, 0=not active]
ZoneModule 13 - Supply Temp Sensor Short Circuit Flag		2203	1x2204	0	1	Zone 13 - Inlet temperature sensor short-circuited [1=active, 0=not active]
ZoneModule 14 - Window/Frost Value		2300	1x2301	0	1	Zone 14 - Status of input "Window/Frost" * If input is config. for window contact [0=window closed, 1=window open] * If input is config. for frost thermostat: [0=no frost alarm, 1=frost alarm]
ZoneModule 14 - PIR Active Flag		2301	1x2302	0	1	Zone 14 - PIR motion sensor [1=active, 0=not active]
ZoneModule 14 - Room Temp Sensor Short Circuit Flag		2302	1x2303	0	1	Zone 14 - Room temperature sensor short-circuited [1=active, 0=not active]
ZoneModule 14 - Supply Temp Sensor Short Circuit Flag		2303	1x2304	0	1	Zone 14 - Inlet temperature sensor short-circuited [1=active, 0=not active]

NAME	UNIT	ADDRESS	REGISTER	MIN.	MAX.	COMMENTS
ZoneModule 15 - Window/Frost Value		2400	1x2401	0	1	Zone 15 - Status of input "Window/Frost" * If input is config. for window contact [0=window closed, 1=window open] * If input is config. for frost thermostat: [0=no frost alarm, 1=frost alarm]
ZoneModule 15 - PIR Active Flag		2401	1x2402	0	1	Zone 15 - PIR motion sensor [1=active, 0=not active]
ZoneModule 15 - Room Temp Sensor Short Circuit Flag		2402	1x2403	0	1	Zone 15 - Room temperature sensor short-circuited [1=active, 0=not active]
ZoneModule 15 - Supply Temp Sensor Short Circuit Flag		2403	1x2404	0	1	Zone 15 - Inlet temperature sensor short-circuited [1=active, 0=not active]
ZoneModule 16 - Window/Frost Value		2500	1x2501	0	1	Zone 16 - Status of input "Window/Frost" * If input is config. for window contact [0=window closed, 1=window open] * If input is config. for frost thermostat: [0=no frost alarm, 1=frost alarm]
ZoneModule 16 - PIR Active Flag		2501	1x2502	0	1	Zone 16 - PIR motion sensor [1=active, 0=not active]
ZoneModule 16 - Room Temp Sensor Short Circuit Flag		2502	1x2503	0	1	Zone 16 - Room temperature sensor short-circuited [1=active, 0=not active]
ZoneModule 16 - Supply Temp Sensor Short Circuit Flag		2503	1x2504	0	1	Zone 16 - Inlet temperature sensor short-circuited [1=active, 0=not active]
ZoneModule 17 - Window/Frost Value		2600	1x2601	0	1	Zone 17 - Status of input "Window/Frost" * If input is config. for window contact [0=window closed, 1=window open] * If input is config. for frost thermostat: [0=no frost alarm, 1=frost alarm]
ZoneModule 17 - PIR Active Flag		2601	1x2602	0	1	Zone 17 - PIR motion sensor [1=active, 0=not active]
ZoneModule 17 - Room Temp Sensor Short Circuit Flag		2602	1x2603	0	1	Zone 17 - Room temperature sensor short-circuited [1=active, 0=not active]
ZoneModule 17 - Supply Temp Sensor Short Circuit Flag		2603	1x2604	0	1	Zone 17 - Inlet temperature sensor short-circuited [1=active, 0=not active]
ZoneModule 18 - Window/Frost Value		2700	1x2701	0	1	Zone 18 - Status of input "Window/Frost" * If input is config. for window contact [0=window closed, 1=window open] * If input is config. for frost thermostat: [0=no frost alarm, 1=frost alarm]
ZoneModule 18 - PIR Active Flag		2701	1x2702	0	1	Zone 18 - PIR motion sensor [1=active, 0=not active]
ZoneModule 18 - Room Temp Sensor Short Circuit Flag		2702	1x2703	0	1	Zone 18 - Room temperature sensor short-circuited [1=active, 0=not active]
ZoneModule 18 - Supply Temp Sensor Short Circuit Flag		2703	1x2704	0	1	Zone 18 - Inlet temperature sensor short-circuited [1=active, 0=not active]
ZoneModule 19 - Window/Frost Value		2800	1x2801	0	1	Zone 19 - Status of input "Window/Frost" * If input is config. for window contact [0=window closed, 1=window open] * If input is config. for frost thermostat: [0=no frost alarm, 1=frost alarm]
ZoneModule 19 - PIR Active Flag		2801	1x2802	0	1	Zone 19 - PIR motion sensor [1=active, 0=not active]
ZoneModule 19 - Room Temp Sensor Short Circuit Flag		2802	1x2803	0	1	Zone 19 - Room temperature sensor short-circuited [1=active, 0=not active]
ZoneModule 19 - Supply Temp Sensor Short Circuit Flag		2803	1x2804	0	1	Zone 19 - Inlet temperature sensor short-circuited [1=active, 0=not active]
ZoneModule 20 - Window/Frost Value		2900	1x2901	0	1	Zone 20 - Status of input "Window/Frost" * If input is config. for window contact [0=window closed, 1=window open] * If input is config. for frost thermostat: [0=no frost alarm, 1=frost alarm]
ZoneModule 20 - PIR Active Flag		2901	1x2902	0	1	Zone 20 - PIR motion sensor [1=active, 0=not active]
ZoneModule 20 - Room Temp Sensor Short Circuit Flag		2902	1x2903	0	1	Zone 20 - Room temperature sensor short-circuited [1=active, 0=not active]
ZoneModule 20 - Supply Temp Sensor Short Circuit Flag		2903	1x2904	0	1	Zone 20 - Inlet temperature sensor short-circuited [1=active, 0=not active]
ZoneModule 21 - Window/Frost Value		3000	1x3001	0	1	Zone 21 - Status of input "Window/Frost" * If input is config. for window contact [0=window closed, 1=window open] * If input is config. for frost thermostat: [0=no frost alarm, 1=frost alarm]
ZoneModule 21 - PIR Active Flag		3001	1x3002	0	1	Zone 21 - PIR motion sensor [1=active, 0=not active]
ZoneModule 21 - Room Temp Sensor Short Circuit Flag		3002	1x3003	0	1	Zone 21 - Room temperature sensor short-circuited [1=active, 0=not active]
ZoneModule 21 - Supply Temp Sensor Short Circuit Flag		3003	1x3004	0	1	Zone 21 - Inlet temperature sensor short-circuited [1=active, 0=not active]
ZoneModule 22 - Window/Frost Value		3100	1x3101	0	1	Zone 22 - Status of input "Window/Frost" * If input is config. for window contact [0=window closed, 1=window open] * If input is config. for frost thermostat: [0=no frost alarm, 1=frost alarm]
ZoneModule 22 - PIR Active Flag		3101	1x3102	0	1	Zone 22 - PIR motion sensor [1=active, 0=not active]
ZoneModule 22 - Room Temp Sensor Short Circuit Flag		3102	1x3103	0	1	Zone 22 - Room temperature sensor short-circuited [1=active, 0=not active]
ZoneModule 22 - Supply Temp Sensor Short Circuit Flag		3103	1x3104	0	1	Zone 22 - Inlet temperature sensor short-circuited [1=active, 0=not active]

NAME	UNIT	ADDRESS	REGISTER	MIN.	MAX.	COMMENTS
ZoneModule 23 - Window/Frost Value		3200	1x3201	0	1	Zone 23 - Status of input "Window/Frost" * If input is config. for window contact [0=window closed, 1=window open] * If input is config. for frost thermostat: [0=no frost alarm, 1=frost alarm]
ZoneModule 23 - PIR Active Flag		3201	1x3202	0	1	Zone 23 - PIR motion sensor [1=active, 0=not active]
ZoneModule 23 - Room Temp Sensor Short Circuit Flag		3202	1x3203	0	1	Zone 23 - Room temperature sensor short-circuited [1=active, 0=not active]
ZoneModule 23 - Supply Temp Sensor Short Circuit Flag		3203	1x3204	0	1	Zone 23 - Inlet temperature sensor short-circuited [1=active, 0=not active]
ZoneModule 24 - Window/Frost Value		3300	1x3301	0	1	Zone 24 - Status of input "Window/Frost" * If input is config. for window contact [0=window closed, 1=window open] * If input is config. for frost thermostat: [0=no frost alarm, 1=frost alarm]
ZoneModule 24 - PIR Active Flag		3301	1x3302	0	1	Zone 24 - PIR motion sensor [1=active, 0=not active]
ZoneModule 24 - Room Temp Sensor Short Circuit Flag		3302	1x3303	0	1	Zone 24 - Room temperature sensor short-circuited [1=active, 0=not active]
ZoneModule 24 - Supply Temp Sensor Short Circuit Flag		3303	1x3304	0	1	Zone 24 - Inlet temperature sensor short-circuited [1=active, 0=not active]
ZoneModule 25 - Window/Frost Value		3400	1x3401	0	1	Zone 25 - Status of input "Window/Frost" * If input is config. for window contact [0=window closed, 1=window open] * If input is config. for frost thermostat: [0=no frost alarm, 1=frost alarm]
ZoneModule 25 - PIR Active Flag		3401	1x3402	0	1	Zone 25 - PIR motion sensor [1=active, 0=not active]
ZoneModule 25 - Room Temp Sensor Short Circuit Flag		3402	1x3403	0	1	Zone 25 - Room temperature sensor short-circuited [1=active, 0=not active]
ZoneModule 25 - Supply Temp Sensor Short Circuit Flag		3403	1x3404	0	1	Zone 25 - Inlet temperature sensor short-circuited [1=active, 0=not active]

Input Registers (R)

NAME	UNIT	ADDRESS	REGISTER	MIN.	MAX.	COMMENTS
AHU Supply Fan Setpoint	%	100	3x0101	0	10000	Actual setpoint for inlet fan [1/100 %]
AHU Extract Fan Setpoint	%	101	3x0102	0	10000	Actual setpoint for exhaust fan [1/100 %]
AHU Supply Air Temp Setpoint	°C	102	3x0103	-4000	10000	Actual setpoint for inlet temperature [1/100 °C]
AHU Cooling Pump Setpoint	%	103	3x0104	0	10000	Actual setpoint for cooling pump [1/100 %]
AHU status		104	3x0105	0	3	Actual operating status; AHU: 0 = Normal 1 = Stop 2 = Summer night cooling 3 = Fire
AHU Supply Fan Alarm Status		105	3x0106	0	1	Alarm status; inlet fan [0=no alarm; 1=alarm]
AHU Extract Fan Alarm Status		106	3x0107	0	1	Alarm status; exhaust fan [0=no alarm; 1=alarm]
AHU Cooling Water Temp Value	°C	107	3x0108	-4000	10000	Actual cooling water temperature [1/100 °C]
AHU Combined Outdoor Temp Value	°C	108	3x0109	-4000	10000	Actual outdoor temperature [1/100 °C]
Section Zone Master Alarm Status		109	3x0110	0	2	Alarm status; X-AIRCONTROL Master [0=no alarm; 1=B-alarm; 2=A-alarm]
Section Zone Module Alarm Status		110	3x0111	0	2	Alarm status; X-AIRCONTROL Modules [0=no alarm; 1=B-alarm; 2=A-alarm]
Zone Master Operation Mode		111	3x0112	0	7	Actual operating status; X-AIRCONTROL Master: 0 = Normal 1 = Standby 2 = Night setback 3 = Summer night cooling 4 = Max. air quantity 5 = Min. air quantity 6 = Fire mode - dampers open and fans running 7 = Fire mode - dampers closed and fans stopped
Actual Summer/Winter Compensation		112	3x0113	-20000	20000	Actual summer/winter compensation [1/100 °C]
Number Of Zonemodules		300	3x0301	0	25	No. of connected X-AIRCONTROL Modules
Section Supply Fan Max Damper Pos	%	301	3x0302	0	10000	Degree of opening of the VAV inlet damper in the section that is most open [1/100 %]
Section Extract Fan Max Damper Pos	%	302	3x0303	0	10000	Degree of opening of the VAV exhaust damper in the section that is most open [1/100 %]
Section Heat Valve Max Valve Pos	%	303	3x0304	0	10000	Degree of opening of the heating valve in the section that is most open [1/100 %]
Section Cool Valve Max Valve Pos	%	304	3x0305	0	10000	Degree of opening of the cooling valve in the section that is most open [1/100 %]
Section Minimum Temperature Setpoint	°C	305	3x0306	-4000	10000	Actual min. inlet temperature [1/100 °C]
ZoneModule 1 - Status		1000	3x1001	0	2	Actual status, X-AIRCONTROL Zone Module 1: 0 = Normal 1 = B-alarm 2 = A-alarm
ZoneModule 1 - VAV Supply 1 Actuator Setpoint	%	1001	3x1002	0	10000	Zone 1; Actual setpoint; VAV inlet damper no. 1 [1/100 %]
ZoneModule 1 - VAV Supply 1 Flow	m3/h	1002	3x1003	0	32767	Zone 1; Actual air quantity; VAV inlet damper no. 1 [m3/h]
ZoneModule 1 - VAV Supply 2 Actuator Setpoint	%	1003	3x1004	0	10000	Zone 1; Actual setpoint; VAV inlet damper no. 2 [1/100 %]
ZoneModule 1 - VAV Supply 2 Flow	m3/h	1004	3x1005	0	32767	Zone 1; Actual air quantity; VAV inlet damper no. 2 [m3/h]
ZoneModule 1 - VAV Extract Actuator Setpoint	%	1005	3x1006	0	10000	Zone 1; Actual setpoint; VAV exhaust damper [1/100 %]
ZoneModule 1 - VAV Extract Flow	m3/h	1006	3x1007	0	32767	Zone 1; Actual air quantity; VAV exhaust damper [m3/h]
ZoneModule 1 - Heating Actuator Setpoint	%	1007	3x1008	0	10000	Zone 1; Actual opening, heating valve [1/100 %]
ZoneModule 1 - Cooling Actuator setpoint	%	1008	3x1009	0	10000	Zone 1; Actual opening, cooling valve [1/100 %]
ZoneModule 1 - Room Temperature Actual Value	°C	1009	3x1010	-4000	10000	Zone 1; Actual room temperature [1/100 °C]
ZoneModule 1 - Supply Temperature Actual Value	°C	1010	3x1011	-4000	10000	Zone 1; Actual inlet temperature [1/100 °C]
ZoneModule 1 - Remote Setpoint Offset Actual Value	°C	1011	3x1012	-4000	10000	Zone 1; Actual temperature offset from potentiometer [1/100 °C]
ZoneModule 1 - CO2/VOC Actual Value	ppm	1012	3x1013	0	5000	Zone 1; Actual CO2/VOC level [ppm]
ZoneModule 1 - RH Actual Value	%	1013	3x1014	0	10000	Zone 1; Actual relative humidity level [%rh]
ZoneModule 1 - Room Temperature Actual Setpoint	°C	1014	3x1015	-4000	10000	Zone 1; Actual controller setpoint; room temperature [1/100 °C]

NAME	UNIT	ADDRESS	REGISTER	MIN.	MAX.	COMMENTS
ZoneModule 2 - Status		1100	3x1101	0	2	Actual status, X-AIRCONTROL Zone Module 2: 0 = Normal 1 = B-alarm 2 = A-alarm
ZoneModule 2 - VAV Supply 1 Actuator Setpoint	%	1101	3x1102	0	10000	Zone 2; Actual setpoint;VAV inlet damper no. 1 [1/100 %]
ZoneModule 2 - VAV Supply 1 Flow	m3/h	1102	3x1103	0	32767	Zone 2; Actual air quantity;VAV inlet damper no. 1 [m3/h]
ZoneModule 2 - VAV Supply 2 Actuator Setpoint	%	1103	3x1104	0	10000	Zone 2; Actual setpoint;VAV inlet damper no. 2 [1/100 %]
ZoneModule 2 - VAV Supply 2 Flow	m3/h	1104	3x1105	0	32767	Zone 2; Actual air quantity; VAV inlet damper no. 2 [m3/h]
ZoneModule 2 - VAV Extract Actuator Setpoint	%	1105	3x1106	0	10000	Zone 2; Actual setpoint; VAV exhaust damper [1/100 %]
ZoneModule 2 - VAV Extract Flow	m3/h	1106	3x1107	0	32767	Zone 2; Actual air quantity; VAV exhaust damper [m3/h]
ZoneModule 2 - Heating Actuator Setpoint	%	1107	3x1108	0	10000	Zone 2; Actual opening, heating valve [1/100 %]
ZoneModule 2 - Cooling Actuator setpoint	%	1108	3x1109	0	10000	Zone 2; Actual opening, cooling valve [1/100 %]
ZoneModule 2 - Room Temperature Actual Value	°C	1109	3x1110	-4000	10000	Zone 2; Actual room temperature [1/100 °C]
ZoneModule 2 - Supply Temperature Actual Value	°C	1110	3x1111	-4000	10000	Zone 2; Actual inlet temperature [1/100 °C]
ZoneModule 2 - Remote Setpoint Offset Actual Value	°C	1111	3x1112	-4000	10000	Zone 2; Actual temperature offset from potentiometer [1/100 °C]
ZoneModule 2 - CO2/VOC Actual Value	ppm	1112	3x1113	0	5000	Zone 2; Actual CO2/VOC level [ppm]
ZoneModule 2 - RH Actual Value	%	1113	3x1114	0	10000	Zone 2; Actual relative humidity level [%rh]
ZoneModule 2 - Room Temperature Actual Setpoint	°C	1114	3x1115	-4000	10000	Zone 2; Actual controller setpoint, room temperature [1/100 °C]
ZoneModule 3 - Status		1200	3x1201	0	2	Actual status, X-AIRCONTROL Zone Module 3: 0 = Normal 1 = B-alarm 2 = A-alarm
ZoneModule 3 - VAV Supply 1 Actuator Setpoint	%	1201	3x1202	0	10000	Zone 3; Actual setpoint; VAV inlet damper no. 1 [1/100 %]
ZoneModule 3 - VAV Supply 1 Flow	m3/h	1202	3x1203	0	32767	Zone 3; Actual air quantity; VAV inlet damper no. 1 [m3/h]
ZoneModule 3 - VAV Supply 2 Actuator Setpoint	%	1203	3x1204	0	10000	Zone 3; Actual setpoint; VAV inlet damper no. 2 [1/100 %]
ZoneModule 3 - VAV Supply 2 Flow	m3/h	1204	3x1205	0	32767	Zone 3; Actual air quantity; VAV inlet damper no. 2 [m3/h]
ZoneModule 3 - VAV Extract Actuator Setpoint	%	1205	3x1206	0	10000	Zone 3; Actual setpoint; VAV exhaust damper [1/100 %]
ZoneModule 3 - VAV Extract Flow	m3/h	1206	3x1207	0	32767	Zone 3; Actual air quantity; VAV exhaust damper [m3/h]
ZoneModule 3 - Heating Actuator Setpoint	%	1207	3x1208	0	10000	Zone 3; Actual opening, heating valve [1/100 %]
ZoneModule 3 - Cooling Actuator setpoint	%	1208	3x1209	0	10000	Zone 3; Actual opening, cooling valve [1/100 %]
ZoneModule 3 - Room Temperature Actual Value	°C	1209	3x1210	-4000	10000	Zone 3; Actual room temperature [1/100 °C]
ZoneModule 3 - Supply Temperature Actual Value	°C	1210	3x1211	-4000	10000	Zone 3; Actual inlet temperature [1/100 °C]
ZoneModule 3 - Remote Setpoint Offset Actual Value	°C	1211	3x1212	-4000	10000	Zone 3; Actual temperature offset from potentiometer [1/100 °C]
ZoneModule 3 - CO2/VOC Actual Value	ppm	1212	3x1213	0	5000	Zone 3; Actual CO2/VOC level [ppm]
ZoneModule 3 - RH Actual Value	%	1213	3x1214	0	10000	Zone 3; Actual relative humidity level [%rh]
ZoneModule 3 - Room Temperature Actual Setpoint	°C	1214	3x1215	-4000	10000	Zone 3; Actual controller setpoint, room temperature [1/100 °C]
ZoneModule 4 - Status		1300	3x1301	0	2	Actual status, X-AIRCONTROL Zone Module 4: 0 = Normal 1 = B-alarm 2 = A-alarm
ZoneModule 4 - VAV Supply 1 Actuator Setpoint	%	1301	3x1302	0	10000	Zone 4; Actual setpoint; VAV inlet damper no. 1 [1/100 %]
ZoneModule 4 - VAV Supply 1 Flow	m3/h	1302	3x1303	0	32767	Zone 4; Actual air quantity; VAV inlet damper no. 1 [m3/h]
ZoneModule 4 - VAV Supply 2 Actuator Setpoint	%	1303	3x1304	0	10000	Zone 4; Actual setpoint; VAV inlet damper no. 2 [1/100 %]
ZoneModule 4 - VAV Supply 2 Flow	m3/h	1304	3x1305	0	32767	Zone 4; Actual air quantity; VAV inlet damper no. 2 [m3/h]
ZoneModule 4 - VAV Extract Actuator Setpoint	%	1305	3x1306	0	10000	Zone 4; Actual setpoint; VAV exhaust damper [1/100 %]
ZoneModule 4 - VAV Extract Flow	m3/h	1306	3x1307	0	32767	Zone 4; Actual air quantity; VAV exhaust damper [m3/h]
ZoneModule 4 - Heating Actuator Setpoint	%	1307	3x1308	0	10000	Zone 4; Actual opening, heating valve [1/100 %]
ZoneModule 4 - Cooling Actuator setpoint	%	1308	3x1309	0	10000	Zone 4; Actual opening, cooling valve [1/100 %]
ZoneModule 4 - Room Temperature Actual Value	°C	1309	3x1310	-4000	10000	Zone 4; Actual room temperature [1/100 °C]
ZoneModule 4 - Supply Temperature Actual Value	°C	1310	3x1311	-4000	10000	Zone 4; Actual inlet temperature [1/100 °C]
ZoneModule 4 - Remote Setpoint Offset Actual Value	°C	1311	3x1312	-4000	10000	Zone 4; Actual temperature offset from potentiometer [1/100 °C]
ZoneModule 4 - CO2/VOC Actual Value	ppm	1312	3x1313	0	5000	Zone 4; Actual CO2/VOC level [ppm]
ZoneModule 4 - RH Actual Value	%	1313	3x1314	0	10000	Zone 4; Actual relative humidity level [%rh]
ZoneModule 4 - Room Temperature Actual Setpoint	°C	1314	3x1315	-4000	10000	Zone 4; Actual controller setpoint, room temperature [1/100 °C]

NAME	UNIT	ADDRESS	REGISTER	MIN.	MAX.	COMMENTS
ZoneModule 5 - Status		1400	3x1401	0	2	Actual status, X-AIRCONTROL Zone Module 5: 0 = Normal 1 = B-alarm 2 = A-alarm
ZoneModule 5 - VAV Supply 1 Actuator Setpoint	%	1401	3x1402	0	10000	Zone 5; Actual setpoint; VAV inlet damper no. 1 [1/100 %]
ZoneModule 5 - VAV Supply 1 Flow	m3/h	1402	3x1403	0	32767	Zone 5; Actual air quantity; VAV inlet damper no. 1 [m3/h]
ZoneModule 5 - VAV Supply 2 Actuator Setpoint	%	1403	3x1404	0	10000	Zone 5; Actual setpoint; VAV inlet damper no. 2 [1/100 %]
ZoneModule 5 - VAV Supply 2 Flow	m3/h	1404	3x1405	0	32767	Zone 5; Actual air quantity; VAV inlet damper no. 2 [m3/h]
ZoneModule 5 - VAV Extract Actuator Setpoint	%	1405	3x1406	0	10000	Zone 5; Actual setpoint; VAV exhaust damper [1/100 %]
ZoneModule 5 - VAV Extract Flow	m3/h	1406	3x1407	0	32767	Zone 5; Actual air quantity; VAV exhaust damper [m3/h]
ZoneModule 5 - Heating Actuator Setpoint	%	1407	3x1408	0	10000	Zone 5; Actual opening, heating valve [1/100 %]
ZoneModule 5 - Cooling Actuator setpoint	%	1408	3x1409	0	10000	Zone 5; Actual opening, cooling valve [1/100 %]
ZoneModule 5 - Room Temperature Actual Value	°C	1409	3x1410	-4000	10000	Zone 5; Actual room temperature [1/100 °C]
ZoneModule 5 - Supply Temperature Actual Value	°C	1410	3x1411	-4000	10000	Zone 5; Actual inlet temperature [1/100 °C]
ZoneModule 5 - Remote Setpoint Offset Actual Value	°C	1411	3x1412	-4000	10000	Zone 5; Actual temperature offset from potentiometer [1/100 °C]
ZoneModule 5 - CO2/VOC Actual Value	ppm	1412	3x1413	0	5000	Zone 5; Actual CO2/VOC level [ppm]
ZoneModule 5 - RH Actual Value	%	1413	3x1414	0	10000	Zone 5; Actual relative humidity level [%rh]
ZoneModule 5 - Room Temperature Actual Setpoint	°C	1414	3x1415	-4000	10000	Zone 5; Actual controller setpoint, room temperature [1/100 °C]
ZoneModule 6 - Status		1500	3x1501	0	2	Actual status, Zone 6: 0 = Normal 1 = B-alarm 2 = A-alarm
ZoneModule 6 - VAV Supply 1 Actuator Setpoint	%	1501	3x1502	0	10000	Zone 6; Actual setpoint; VAV inlet damper no. 1 [1/100 %]
ZoneModule 6 - VAV Supply 1 Flow	m3/h	1502	3x1503	0	32767	Zone 6; Actual air quantity; VAV inlet damper no. 1 [m3/h]
ZoneModule 6 - VAV Supply 2 Actuator Setpoint	%	1503	3x1504	0	10000	Zone 6; Actual setpoint; VAV inlet damper no. 2 [1/100 %]
ZoneModule 6 - VAV Supply 2 Flow	m3/h	1504	3x1505	0	32767	Zone 6; Actual air quantity; VAV inlet damper no. 2 [m3/h]
ZoneModule 6 - VAV Extract Actuator Setpoint	%	1505	3x1506	0	10000	Zone 6; Actual setpoint; VAV exhaust damper [1/100 %]
ZoneModule 6 - VAV Extract Flow	m3/h	1506	3x1507	0	32767	Zone 6; Actual air quantity; VAV exhaust damper [m3/h]
ZoneModule 6 - Heating Actuator Setpoint	%	1507	3x1508	0	10000	Zone 6; Actual opening, heating valve [1/100 %]
ZoneModule 6 - Cooling Actuator setpoint	%	1508	3x1509	0	10000	Zone 6; Actual opening, cooling valve [1/100 %]
ZoneModule 6 - Room Temperature Actual Value	°C	1509	3x1510	-4000	10000	Zone 6; Actual room temperature [1/100 °C]
ZoneModule 6 - Supply Temperature Actual Value	°C	1510	3x1511	-4000	10000	Zone 6; Actual inlet temperature [1/100 °C]
ZoneModule 6 - Remote Setpoint Offset Actual Value	°C	1511	3x1512	-4000	10000	Zone 6; Actual temperature offset from potentiometer [1/100 °C]
ZoneModule 6 - CO2/VOC Actual Value	ppm	1512	3x1513	0	5000	Zone 6; Actual CO2/VOC level [ppm]
ZoneModule 6 - RH Actual Value	%	1513	3x1514	0	10000	Zone 6; Actual relative humidity level [%rh]
ZoneModule 6 - Room Temperature Actual Setpoint	°C	1514	3x1515	-4000	10000	Zone 6; Actual controller setpoint, room temperature [1/100 °C]
ZoneModule 7 - Status		1600	3x1601	0	2	Actual status, Zone 7: 0 = Normal 1 = B-alarm 2 = A-alarm
ZoneModule 7 - VAV Supply 1 Actuator Setpoint	%	1601	3x1602	0	10000	Zone 7; Actual setpoint; VAV inlet damper no. 1 [1/100 %]
ZoneModule 7 - VAV Supply 1 Flow	m3/h	1602	3x1603	0	32767	Zone 7; Actual air quantity; VAV inlet damper no. 1 [m3/h]
ZoneModule 7 - VAV Supply 2 Actuator Setpoint	%	1603	3x1604	0	10000	Zone 7; Actual setpoint; VAV inlet damper no. 2 [1/100 %]
ZoneModule 7 - VAV Supply 2 Flow	m3/h	1604	3x1605	0	32767	Zone 7; Actual air quantity; VAV inlet damper no. 2 [m3/h]
ZoneModule 7 - VAV Extract Actuator Setpoint	%	1605	3x1606	0	10000	Zone 7; Actual setpoint; VAV exhaust damper [1/100 %]
ZoneModule 7 - VAV Extract Flow	m3/h	1606	3x1607	0	32767	Zone 7; Actual air quantity; VAV exhaust damper [m3/h]
ZoneModule 7 - Heating Actuator Setpoint	%	1607	3x1608	0	10000	Zone 7; Actual opening, heating valve [1/100 %]
ZoneModule 7 - Cooling Actuator setpoint	%	1608	3x1609	0	10000	Zone 7; Actual opening, cooling valve [1/100 %]
ZoneModule 7 - Room Temperature Actual Value	°C	1609	3x1610	-4000	10000	Zone 7; Actual room temperature [1/100 °C]
ZoneModule 7 - Supply Temperature Actual Value	°C	1610	3x1611	-4000	10000	Zone 7; Actual inlet temperature [1/100 °C]
ZoneModule 7 - Remote Setpoint Offset Actual Value	°C	1611	3x1612	-4000	10000	Zone 7; Actual temperature offset from potentiometer [1/100 °C]
ZoneModule 7 - CO2/VOC Actual Value	ppm	1612	3x1613	0	5000	Zone 7; Actual CO2/VOC level [ppm]
ZoneModule 7 - RH Actual Value	%	1613	3x1614	0	10000	Zone 7; Actual relative humidity level [%rh]
ZoneModule 7 - Room Temperature Actual Setpoint	°C	1614	3x1615	-4000	10000	Zone 7; Actual controller setpoint, room temperature [1/100 °C]

NAME	UNIT	ADDRESS	REGISTER	MIN.	MAX.	COMMENTS
ZoneModule 8 - Status		1700	3x1701	0	2	Actual status, Zone 8: 0 = Normal 1 = B-alarm 2 = A-alarm
ZoneModule 8 - VAV Supply 1 Actuator Setpoint	%	1701	3x1702	0	10000	Zone 8; Actual setpoint; VAV inlet damper no. 1 [1/100 %]
ZoneModule 8 - VAV Supply 1 Flow	m3/h	1702	3x1703	0	32767	Zone 8; Actual air quantity; VAV inlet damper no. 1 [m3/h]
ZoneModule 8 - VAV Supply 2 Actuator Setpoint	%	1703	3x1704	0	10000	Zone 8; Actual setpoint; VAV inlet damper no. 2 [1/100 %]
ZoneModule 8 - VAV Supply 2 Flow	m3/h	1704	3x1705	0	32767	Zone 8; Actual air quantity; VAV inlet damper no. 2 [m3/h]
ZoneModule 8 - VAV Extract Actuator Setpoint	%	1705	3x1706	0	10000	Zone 8; Actual setpoint; VAV exhaust damper [1/100 %]
ZoneModule 8 - VAV Extract Flow	m3/h	1706	3x1707	0	32767	Zone 8; Actual air quantity; VAV exhaust damper [m3/h]
ZoneModule 8 - Heating Actuator Setpoint	%	1707	3x1708	0	10000	Zone 8; Actual opening, heating valve [1/100 %]
ZoneModule 8 - Cooling Actuator setpoint	%	1708	3x1709	0	10000	Zone 8; Actual opening, cooling valve [1/100 %]
ZoneModule 8 - Room Temperature Actual Value	°C	1709	3x1710	-4000	10000	Zone 8; Actual room temperature [1/100 °C]
ZoneModule 8 - Supply Temperature Actual Value	°C	1710	3x1711	-4000	10000	Zone 8; Actual inlet temperature [1/100 °C]
ZoneModule 8 - Remote Setpoint Offset Actual Value	°C	1711	3x1712	-4000	10000	Zone 8; Actual temperature offset from potentiometer [1/100 °C]
ZoneModule 8 - CO2/VOC Actual Value	ppm	1712	3x1713	0	5000	Zone 8; Actual CO2/VOC level [ppm]
ZoneModule 8 - RH Actual Value	%	1713	3x1714	0	10000	Zone 8; Actual relative humidity level [%rh]
ZoneModule 8 - Room Temperature Actual Setpoint	°C	1714	3x1715	-4000	10000	Zone 8; Actual controller setpoint, room temperature [1/100 °C]
ZoneModule 9 - Status		1800	3x1801	0	2	Actual status, Zone 9: 0 = Normal 1 = B-alarm 2 = A-alarm
ZoneModule 9 - VAV Supply 1 Actuator Setpoint	%	1801	3x1802	0	10000	Zone 9; Actual setpoint; VAV inlet damper no. 1 [1/100 %]
ZoneModule 9 - VAV Supply 1 Flow	m3/h	1802	3x1803	0	32767	Zone 9; Actual air quantity; VAV inlet damper no. 1 [m3/h]
ZoneModule 9 - VAV Supply 2 Actuator Setpoint	%	1803	3x1804	0	10000	Zone 9; Actual setpoint; VAV inlet damper no. 2 [1/100 %]
ZoneModule 9 - VAV Supply 2 Flow	m3/h	1804	3x1805	0	32767	Zone 9; Actual air quantity; VAV inlet damper no. 2 [m3/h]
ZoneModule 9 - VAV Extract Actuator Setpoint	%	1805	3x1806	0	10000	Zone 9; Actual setpoint; VAV exhaust damper [1/100 %]
ZoneModule 9 - VAV Extract Flow	m3/h	1806	3x1807	0	32767	Zone 9; Actual air quantity; VAV exhaust damper [m3/h]
ZoneModule 9 - Heating Actuator Setpoint	%	1807	3x1808	0	10000	Zone 9; Actual opening, heating valve [1/100 %]
ZoneModule 9 - Cooling Actuator setpoint	%	1808	3x1809	0	10000	Zone 9; Actual opening, cooling valve [1/100 %]
ZoneModule 9 - Room Temperature Actual Value	°C	1809	3x1810	-4000	10000	Zone 9; Actual room temperature [1/100 °C]
ZoneModule 9 - Supply Temperature Actual Value	°C	1810	3x1811	-4000	10000	Zone 9; Actual inlet temperature [1/100 °C]
ZoneModule 9 - Remote Setpoint Offset Actual Value	°C	1811	3x1812	-4000	10000	Zone 9; Actual temperature offset from potentiometer [1/100 °C]
ZoneModule 9 - CO2/VOC Actual Value	ppm	1812	3x1813	0	5000	Zone 9; Actual CO2/VOC level [ppm]
ZoneModule 9 - RH Actual Value	%	1813	3x1814	0	10000	Zone 9; Actual relative humidity level [%rh]
ZoneModule 9 - Room Temperature Actual Setpoint	°C	1814	3x1815	-4000	10000	Zone 9; Actual controller setpoint, room temperature [1/100 °C]
ZoneModule 10 - Status		1900	3x1901	0	2	Actual status, Zone 10: 0 = Normal 1 = B-alarm 2 = A-alarm
ZoneModule 10 - VAV Supply 1 Actuator Setpoint	%	1901	3x1902	0	10000	Zone 10; Actual setpoint; VAV inlet damper no. 1 [1/100 %]
ZoneModule 10 - VAV Supply 1 Flow	m3/h	1902	3x1903	0	32767	Zone 10; Actual air quantity; VAV inlet damper no. 1 [m3/h]
ZoneModule 10 - VAV Supply 2 Actuator Setpoint	%	1903	3x1904	0	10000	Zone 10; Actual setpoint; VAV inlet damper no. 2 [1/100 %]
ZoneModule 10 - VAV Supply 2 Flow	m3/h	1904	3x1905	0	32767	Zone 10; Actual air quantity; VAV inlet damper no. 2 [m3/h]
ZoneModule 10 - VAV Extract Actuator Setpoint	%	1905	3x1906	0	10000	Zone 10; Actual setpoint; VAV exhaust damper [1/100 %]
ZoneModule 10 - VAV Extract Flow	m3/h	1906	3x1907	0	32767	Zone 10; Actual air quantity; VAV exhaust damper [m3/h]
ZoneModule 10 - Heating Actuator Setpoint	%	1907	3x1908	0	10000	Zone 10; Actual opening, heating valve [1/100 %]
ZoneModule 10 - Cooling Actuator setpoint	%	1908	3x1909	0	10000	Zone 10; Actual opening, cooling valve [1/100 %]
ZoneModule 10 - Room Temperature Actual Value	°C	1909	3x1910	-4000	10000	Zone 10; Actual room temperature [1/100 °C]
ZoneModule 10 - Supply Temperature Actual Value	°C	1910	3x1911	-4000	10000	Zone 10; Actual inlet temperature [1/100 °C]
ZoneModule 10 - Remote Setpoint Offset Actual Value	°C	1911	3x1912	-4000	10000	Zone 10; Actual temperature offset from potentiometer [1/100 °C]
ZoneModule 10 - CO2/VOC Actual Value	ppm	1912	3x1913	0	5000	Zone 10; Actual CO2/VOC level [ppm]
ZoneModule 10 - RH Actual Value	%	1913	3x1914	0	10000	Zone 10; Actual relative humidity level [%rh]
ZoneModule 10 - Room Temperature Actual Setpoint	°C	1914	3x1915	-4000	10000	Zone 10; Actual controller setpoint, room temperature [1/100 °C]

NAME	UNIT	ADDRESS	REGISTER	MIN.	MAX.	COMMENTS
ZoneModule 11 - Status		2000	3x2001	0	2	Actual status, Zone 11: 0 = Normal 1 = B-alarm 2 = A-alarm
ZoneModule 11 - VAV Supply 1 Actuator Setpoint	%	2001	3x2002	0	10000	Zone 11; Actual setpoint; VAV inlet damper no. 1 [1/100 %]
ZoneModule 11 - VAV Supply 1 Flow	m3/h	2002	3x2003	0	32767	Zone 11; Actual air quantity; VAV inlet damper no. 1 [m3/h]
ZoneModule 11 - VAV Supply 2 Actuator Setpoint	%	2003	3x2004	0	10000	Zone 11; Actual setpoint; VAV inlet damper no. 2 [1/100 %]
ZoneModule 11 - VAV Supply 2 Flow	m3/h	2004	3x2005	0	32767	Zone 11; Actual air quantity; VAV inlet damper no. 2 [m3/h]
ZoneModule 11 - VAV Extract Actuator Setpoint	%	2005	3x2006	0	10000	Zone 11; Actual setpoint; VAV exhaust damper [1/100 %]
ZoneModule 11 - VAV Extract Flow	m3/h	2006	3x2007	0	32767	Zone 11; Actual air quantity; VAV exhaust damper [m3/h]
ZoneModule 11 - Heating Actuator Setpoint	%	2007	3x2008	0	10000	Zone 11; Actual opening, heating valve [1/100 %]
ZoneModule 11 - Cooling Actuator setpoint	%	2008	3x2009	0	10000	Zone 11; Actual opening, cooling valve [1/100 %]
ZoneModule 11 - Room Temperature Actual Value	°C	2009	3x2010	-4000	10000	Zone 11; Actual room temperature [1/100 °C]
ZoneModule 11 - Supply Temperature Actual Value	°C	2010	3x2011	-4000	10000	Zone 11; Actual inlet temperature [1/100 °C]
ZoneModule 11 - Remote Setpoint Offset Actual Value	°C	2011	3x2012	-4000	10000	Zone 11; Actual temperature offset from potentiometer [1/100 °C]
ZoneModule 11 - CO2/VOC Actual Value	ppm	2012	3x2013	0	5000	Zone 11; Actual CO2/VOC level [ppm]
ZoneModule 11 - RH Actual Value	%	2013	3x2014	0	10000	Zone 11; Actual relative humidity level [%rh]
ZoneModule 11 - Room Temperature Actual Setpoint	°C	2014	3x2015	-4000	10000	Zone 11; Actual controller setpoint, room temperature [1/100 °C]
ZoneModule 12 - Status		2100	3x2101	0	2	Actual status, Zone 12: 0 = Normal 1 = B-alarm 2 = A-alarm
ZoneModule 12 - VAV Supply 1 Actuator Setpoint	%	2101	3x2102	0	10000	Zone 12; Actual setpoint; VAV inlet damper no. 1 [1/100 %]
ZoneModule 12 - VAV Supply 1 Flow	m3/h	2102	3x2103	0	32767	Zone 12; Actual air quantity; VAV inlet damper no. 1 [m3/h]
ZoneModule 12 - VAV Supply 2 Actuator Setpoint	%	2103	3x2104	0	10000	Zone 12; Actual setpoint; VAV inlet damper no. 2 [1/100 %]
ZoneModule 12 - VAV Supply 2 Flow	m3/h	2104	3x2105	0	32767	Zone 12; Actual air quantity; VAV inlet damper no. 2 [m3/h]
ZoneModule 12 - VAV Extract Actuator Setpoint	%	2105	3x2106	0	10000	Zone 12; Actual setpoint; VAV exhaust damper [1/100 %]
ZoneModule 12 - VAV Extract Flow	m3/h	2106	3x2107	0	32767	Zone 12; Actual air quantity; VAV exhaust damper [m3/h]
ZoneModule 12 - Heating Actuator Setpoint	%	2107	3x2108	0	10000	Zone 12; Actual opening, heating valve [1/100 %]
ZoneModule 12 - Cooling Actuator setpoint	%	2108	3x2109	0	10000	Zone 12; Actual opening, cooling valve [1/100 %]
ZoneModule 12 - Room Temperature Actual Value	°C	2109	3x2110	-4000	10000	Zone 12; Actual room temperature [1/100 °C]
ZoneModule 12 - Supply Temperature Actual Value	°C	2110	3x2111	-4000	10000	Zone 12; Actual inlet temperature [1/100 °C]
ZoneModule 12 - Remote Setpoint Offset Actual Value	°C	2111	3x2112	-4000	10000	Zone 12; Actual temperature offset from potentiometer [1/100 °C]
ZoneModule 12 - CO2/VOC Actual Value	ppm	2112	3x2113	0	5000	Zone 12; Actual CO2/VOC level [ppm]
ZoneModule 12 - RH Actual Value	%	2113	3x2114	0	10000	Zone 12; Actual relative humidity level [%rh]
ZoneModule 12 - Room Temperature Actual Setpoint	°C	2114	3x2115	-4000	10000	Zone 12; Actual controller setpoint, room temperature [1/100 °C]
ZoneModule 13 - Status		2200	3x2201	0	2	Actual status, Zone 13: 0 = Normal 1 = B-alarm 2 = A-alarm
ZoneModule 13 - VAV Supply 1 Actuator Setpoint	%	2201	3x2202	0	10000	Zone 13; Actual setpoint; VAV inlet damper no. 1 [1/100 %]
ZoneModule 13 - VAV Supply 1 Flow	m3/h	2202	3x2203	0	32767	Zone 13; Actual air quantity; VAV inlet damper no. 1 [m3/h]
ZoneModule 13 - VAV Supply 2 Actuator Setpoint	%	2203	3x2204	0	10000	Zone 13; Actual setpoint; VAV inlet damper no. 2 [1/100 %]
ZoneModule 13 - VAV Supply 2 Flow	m3/h	2204	3x2205	0	32767	Zone 13; Actual air quantity; VAV inlet damper no. 2 [m3/h]
ZoneModule 13 - VAV Extract Actuator Setpoint	%	2205	3x2206	0	10000	Zone 13; Actual setpoint; VAV exhaust damper [1/100 %]
ZoneModule 13 - VAV Extract Flow	m3/h	2206	3x2207	0	32767	Zone 13; Actual air quantity; VAV exhaust damper [m3/h]
ZoneModule 13 - Heating Actuator Setpoint	%	2207	3x2208	0	10000	Zone 13; Actual opening, heating valve [1/100 %]
ZoneModule 13 - Cooling Actuator setpoint	%	2208	3x2209	0	10000	Zone 13; Actual opening, cooling valve [1/100 %]
ZoneModule 13 - Room Temperature Actual Value	°C	2209	3x2210	-4000	10000	Zone 13; Actual room temperature [1/100 °C]
ZoneModule 13 - Supply Temperature Actual Value	°C	2210	3x2211	-4000	10000	Zone 13; Actual inlet temperature [1/100 °C]
ZoneModule 13 - Remote Setpoint Offset Actual Value	°C	2211	3x2212	-4000	10000	Zone 13; Actual temperature offset from potentiometer [1/100 °C]
ZoneModule 13 - CO2/VOC Actual Value	ppm	2212	3x2213	0	5000	Zone 13; Actual CO2/VOC level [ppm]
ZoneModule 13 - RH Actual Value	%	2213	3x2214	0	10000	Zone 13; Actual relative humidity level [%rh]
ZoneModule 13 - Room Temperature Actual Setpoint	°C	2214	3x2215	-4000	10000	Zone 13; Actual controller setpoint, room temperature [1/100 °C]

NAME	UNIT	ADDRESS	REGISTER	MIN.	MAX.	COMMENTS
ZoneModule 14 - Status		2300	3x2301	0	2	Actual status, Zone 14: 0 = Normal 1 = B-alarm 2 = A-alarm
ZoneModule 14 - VAV Supply 1 Actuator Setpoint	%	2301	3x2302	0	10000	Zone 14; Actual setpoint; VAV inlet damper no. 1 [1/100 %]
ZoneModule 14 - VAV Supply 1 Flow	m3/h	2302	3x2303	0	32767	Zone 14; Actual air quantity; VAV inlet damper no. 1 [m3/h]
ZoneModule 14 - VAV Supply 2 Actuator Setpoint	%	2303	3x2304	0	10000	Zone 14; Actual setpoint; VAV inlet damper no. 2 [1/100 %]
ZoneModule 14 - VAV Supply 2 Flow	m3/h	2304	3x2305	0	32767	Zone 14; Actual air quantity; VAV inlet damper no. 2 [m3/h]
ZoneModule 14 - VAV Extract Actuator Setpoint	%	2305	3x2306	0	10000	Zone 14; Actual setpoint; VAV exhaust damper [1/100 %]
ZoneModule 14 - VAV Extract Flow	m3/h	2306	3x2307	0	32767	Zone 14; Actual air quantity; VAV exhaust damper [m3/h]
ZoneModule 14 - Heating Actuator Setpoint	%	2307	3x2308	0	10000	Zone 14; Actual opening, heating valve [1/100 %]
ZoneModule 14 - Cooling Actuator setpoint	%	2308	3x2309	0	10000	Zone 14; Actual opening, cooling valve [1/100 %]
ZoneModule 14 - Room Temperature Actual Value	°C	2309	3x2310	-4000	10000	Zone 14; Actual room temperature [1/100 °C]
ZoneModule 14 - Supply Temperature Actual Value	°C	2310	3x2311	-4000	10000	Zone 14; Actual inlet temperature [1/100 °C]
ZoneModule 14 - Remote Setpoint Offset Actual Value	°C	2311	3x2312	-4000	10000	Zone 14; Actual temperature offset from potentiometer [1/100 °C]
ZoneModule 14 - CO2/VOC Actual Value	ppm	2312	3x2313	0	5000	Zone 14; Actual CO2/VOC level [ppm]
ZoneModule 14 - RH Actual Value	%	2313	3x2314	0	10000	Zone 14; Actual relative humidity level [%rh]
ZoneModule 14 - Room Temperature Actual Setpoint	°C	2314	3x2315	-4000	10000	Zone 14; Actual controller setpoint, room temperature [1/100 °C]
ZoneModule 15 - Status		2400	3x2401	0	2	Actual status, Zone 15: 0 = Normal 1 = B-alarm 2 = A-alarm
ZoneModule 15 - VAV Supply 1 Actuator Setpoint	%	2401	3x2402	0	10000	Zone 15; Actual setpoint; VAV inlet damper no. 1 [1/100 %]
ZoneModule 15 - VAV Supply 1 Flow	m3/h	2402	3x2403	0	32767	Zone 15; Actual air quantity; VAV inlet damper no. 1 [m3/h]
ZoneModule 15 - VAV Supply 2 Actuator Setpoint	%	2403	3x2404	0	10000	Zone 15; Actual setpoint; VAV inlet damper no. 2 [1/100 %]
ZoneModule 15 - VAV Supply 2 Flow	m3/h	2404	3x2405	0	32767	Zone 15; Actual air quantity; VAV inlet damper no. 2 [m3/h]
ZoneModule 15 - VAV Extract Actuator Setpoint	%	2405	3x2406	0	10000	Zone 15; Actual setpoint; VAV exhaust damper [1/100 %]
ZoneModule 15 - VAV Extract Flow	m3/h	2406	3x2407	0	32767	Zone 15; Actual air quantity; VAV exhaust damper [m3/h]
ZoneModule 15 - Heating Actuator Setpoint	%	2407	3x2408	0	10000	Zone 15; Actual opening, heating valve [1/100 %]
ZoneModule 15 - Cooling Actuator setpoint	%	2408	3x2409	0	10000	Zone 15; Actual opening, cooling valve [1/100 %]
ZoneModule 15 - Room Temperature Actual Value	°C	2409	3x2410	-4000	10000	Zone 15; Actual room temperature [1/100 °C]
ZoneModule 15 - Supply Temperature Actual Value	°C	2410	3x2411	-4000	10000	Zone 15; Actual inlet temperature [1/100 °C]
ZoneModule 15 - Remote Setpoint Offset Actual Value	°C	2411	3x2412	-4000	10000	Zone 15; Actual temperature offset from potentiometer [1/100 °C]
ZoneModule 15 - CO2/VOC Actual Value	ppm	2412	3x2413	0	5000	Zone 15; Actual CO2/VOC level [ppm]
ZoneModule 15 - RH Actual Value	%	2413	3x2414	0	10000	Zone 15; Actual relative humidity level [%rh]
ZoneModule 15 - Room Temperature Actual Setpoint	°C	2414	3x2415	-4000	10000	Zone 15; Actual controller setpoint, room temperature [1/100 °C]
ZoneModule 16 - Status		2500	3x2501	0	2	Actual status, Zone 16: 0 = Normal 1 = B-alarm 2 = A-alarm
ZoneModule 16 - VAV Supply 1 Actuator Setpoint	%	2501	3x2502	0	10000	Zone 16; Actual setpoint; VAV inlet damper no. 1 [1/100 %]
ZoneModule 16 - VAV Supply 1 Flow	m3/h	2502	3x2503	0	32767	Zone 16; Actual air quantity; VAV inlet damper no. 1 [m3/h]
ZoneModule 16 - VAV Supply 2 Actuator Setpoint	%	2503	3x2504	0	10000	Zone 16; Actual setpoint; VAV inlet damper no. 2 [1/100 %]
ZoneModule 16 - VAV Supply 2 Flow	m3/h	2504	3x2505	0	32767	Zone 16; Actual air quantity; VAV inlet damper no. 2 [m3/h]
ZoneModule 16 - VAV Extract Actuator Setpoint	%	2505	3x2506	0	10000	Zone 16; Actual setpoint; VAV exhaust damper [1/100 %]
ZoneModule 16 - VAV Extract Flow	m3/h	2506	3x2507	0	32767	Zone 16; Actual air quantity; VAV exhaust damper [m3/h]
ZoneModule 16 - Heating Actuator Setpoint	%	2507	3x2508	0	10000	Zone 16; Actual opening, heating valve [1/100 %]
ZoneModule 16 - Cooling Actuator setpoint	%	2508	3x2509	0	10000	Zone 16; Actual opening, cooling valve [1/100 %]
ZoneModule 16 - Room Temperature Actual Value	°C	2509	3x2510	-4000	10000	Zone 16; Actual room temperature [1/100 °C]
ZoneModule 16 - Supply Temperature Actual Value	°C	2510	3x2511	-4000	10000	Zone 16; Actual inlet temperature [1/100 °C]
ZoneModule 16 - Remote Setpoint Offset Actual Value	°C	2511	3x2512	-4000	10000	Zone 16; Actual temperature offset from potentiometer [1/100 °C]
ZoneModule 16 - CO2/VOC Actual Value	ppm	2512	3x2513	0	5000	Zone 16; Actual CO2/VOC level [ppm]
ZoneModule 16 - RH Actual Value	%	2513	3x2514	0	10000	Zone 16; Actual relative humidity level [%rh]
ZoneModule 16 - Room Temperature Actual Setpoint	°C	2514	3x2515	-4000	10000	Zone 16; Actual controller setpoint, room temperature [1/100 °C]

NAME	UNIT	ADDRESS	REGISTER	MIN.	MAX.	COMMENTS
ZoneModule 17 - Status		2600	3x2601	0	2	Actual status, Zone 17: 0 = Normal 1 = B-alarm 2 = A-alarm
ZoneModule 17 - VAV Supply 1 Actuator Setpoint	%	2601	3x2602	0	10000	Zone 17; Actual setpoint; VAV inlet damper no. 1 [1/100 %]
ZoneModule 17 - VAV Supply 1 Flow	m3/h	2602	3x2603	0	32767	Zone 17; Actual air quantity; VAV inlet damper no. 1 [m3/h]
ZoneModule 17 - VAV Supply 2 Actuator Setpoint	%	2603	3x2604	0	10000	Zone 17; Actual setpoint; VAV inlet damper no. 2 [1/100 %]
ZoneModule 17 - VAV Supply 2 Flow	m3/h	2604	3x2605	0	32767	Zone 17; Actual air quantity; VAV inlet damper no. 2 [m3/h]
ZoneModule 17 - VAV Extract Actuator Setpoint	%	2605	3x2606	0	10000	Zone 17; Actual setpoint; VAV exhaust damper [1/100 %]
ZoneModule 17 - VAV Extract Flow	m3/h	2606	3x2607	0	32767	Zone 17; Actual air quantity; VAV exhaust damper [m3/h]
ZoneModule 17 - Heating Actuator Setpoint	%	2607	3x2608	0	10000	Zone 17; Actual opening, heating valve [1/100 %]
ZoneModule 17 - Cooling Actuator setpoint	%	2608	3x2609	0	10000	Zone 17; Actual opening, cooling valve [1/100 %]
ZoneModule 17 - Room Temperature Actual Value	°C	2609	3x2610	-4000	10000	Zone 17; Actual room temperature [1/100 °C]
ZoneModule 17 - Supply Temperature Actual Value	°C	2610	3x2611	-4000	10000	Zone 17; Actual inlet temperature [1/100 °C]
ZoneModule 17 - Remote Setpoint Offset Actual Value	°C	2611	3x2612	-4000	10000	Zone 17; Actual temperature offset from potentiometer [1/100 °C]
ZoneModule 17 - CO2/VOC Actual Value	ppm	2612	3x2613	0	5000	Zone 17; Actual CO2/VOC level [ppm]
ZoneModule 17 - RH Actual Value	%	2613	3x2614	0	10000	Zone 17; Actual relative humidity level [%rh]
ZoneModule 17 - Room Temperature Actual Setpoint	°C	2614	3x2615	-4000	10000	Zone 17; Actual controller setpoint, room temperature [1/100 °C]
ZoneModule 18 - Status		2700	3x2701	0	2	Actual status, Zone 18: 0 = Normal 1 = B-alarm 2 = A-alarm
ZoneModule 18 - VAV Supply 1 Actuator Setpoint	%	2701	3x2702	0	10000	Zone 18; Actual setpoint; VAV inlet damper no. 1 [1/100 %]
ZoneModule 18 - VAV Supply 1 Flow	m3/h	2702	3x2703	0	32767	Zone 18; Actual air quantity; VAV inlet damper no. 1 [m3/h]
ZoneModule 18 - VAV Supply 2 Actuator Setpoint	%	2703	3x2704	0	10000	Zone 18; Actual setpoint; VAV inlet damper no. 2 [1/100 %]
ZoneModule 18 - VAV Supply 2 Flow	m3/h	2704	3x2705	0	32767	Zone 18; Actual air quantity; VAV inlet damper no. 2 [m3/h]
ZoneModule 18 - VAV Extract Actuator Setpoint	%	2705	3x2706	0	10000	Zone 18; Actual setpoint; VAV exhaust damper [1/100 %]
ZoneModule 18 - VAV Extract Flow	m3/h	2706	3x2707	0	32767	Zone 18; Actual air quantity; VAV exhaust damper [m3/h]
ZoneModule 18 - Heating Actuator Setpoint	%	2707	3x2708	0	10000	Zone 18; Actual opening, heating valve [1/100 %]
ZoneModule 18 - Cooling Actuator setpoint	%	2708	3x2709	0	10000	Zone 18; Actual opening, cooling valve [1/100 %]
ZoneModule 18 - Room Temperature Actual Value	°C	2709	3x2710	-4000	10000	Zone 18; Actual room temperature [1/100 °C]
ZoneModule 18 - Supply Temperature Actual Value	°C	2710	3x2711	-4000	10000	Zone 18; Actual inlet temperature [1/100 °C]
ZoneModule 18 - Remote Setpoint Offset Actual Value	°C	2711	3x2712	-4000	10000	Zone 18; Actual temperature offset from potentiometer [1/100 °C]
ZoneModule 18 - CO2/VOC Actual Value	ppm	2712	3x2713	0	5000	Zone 18; Actual CO2/VOC level [ppm]
ZoneModule 18 - RH Actual Value	%	2713	3x2714	0	10000	Zone 18; Actual relative humidity level [%rh]
ZoneModule 18 - Room Temperature Actual Setpoint	°C	2714	3x2715	-4000	10000	Zone 18; Actual controller setpoint, room temperature [1/100 °C]
ZoneModule 19 - Status		2800	3x2801	0	2	Actual status, Zone 19: 0 = Normal 1 = B-alarm 2 = A-alarm
ZoneModule 19 - VAV Supply 1 Actuator Setpoint	%	2801	3x2802	0	10000	Zone 19; Actual setpoint; VAV inlet damper no. 1 [1/100 %]
ZoneModule 19 - VAV Supply 1 Flow	m3/h	2802	3x2803	0	32767	Zone 19; Actual air quantity; VAV inlet damper no. 1 [m3/h]
ZoneModule 19 - VAV Supply 2 Actuator Setpoint	%	2803	3x2804	0	10000	Zone 19; Actual setpoint; VAV inlet damper no. 2 [1/100 %]
ZoneModule 19 - VAV Supply 2 Flow	m3/h	2804	3x2805	0	32767	Zone 19; Actual air quantity; VAV inlet damper no. 2 [m3/h]
ZoneModule 19 - VAV Extract Actuator Setpoint	%	2805	3x2806	0	10000	Zone 19; Actual setpoint; VAV exhaust damper [1/100 %]
ZoneModule 19 - VAV Extract Flow	m3/h	2806	3x2807	0	32767	Zone 19; Actual air quantity; VAV exhaust damper [m3/h]
ZoneModule 19 - Heating Actuator Setpoint	%	2807	3x2808	0	10000	Zone 19; Actual opening, heating valve [1/100 %]
ZoneModule 19 - Cooling Actuator setpoint	%	2808	3x2809	0	10000	Zone 19; Actual opening, cooling valve [1/100 %]
ZoneModule 19 - Room Temperature Actual Value	°C	2809	3x2810	-4000	10000	Zone 19; Actual room temperature [1/100 °C]
ZoneModule 19 - Supply Temperature Actual Value	°C	2810	3x2811	-4000	10000	Zone 19; Actual inlet temperature [1/100 °C]
ZoneModule 19 - Remote Setpoint Offset Actual Value	°C	2811	3x2812	-4000	10000	Zone 19; Actual temperature offset from potentiometer [1/100 °C]
ZoneModule 19 - CO2/VOC Actual Value	ppm	2812	3x2813	0	5000	Zone 19; Actual CO2/VOC level [ppm]
ZoneModule 19 - RH Actual Value	%	2813	3x2814	0	10000	Zone 19; Actual relative humidity level [%rh]
ZoneModule 19 - Room Temperature Actual Setpoint	°C	2814	3x2815	-4000	10000	Zone 19; Actual controller setpoint, room temperature [1/100 °C]

NAME	UNIT	ADDRESS	REGISTER	MIN.	MAX.	COMMENTS
ZoneModule 20 - Status		2900	3x2901	0	2	Actual status, Zone 20: 0 = Normal 1 = B-alarm 2 = A-alarm
ZoneModule 20 - VAV Supply 1 Actuator Setpoint	%	2901	3x2902	0	10000	Zone 20; Actual setpoint; VAV inlet damper no. 1 [1/100 %]
ZoneModule 20 - VAV Supply 1 Flow	m3/h	2902	3x2903	0	32767	Zone 20; Actual air quantity; VAV inlet damper no. 1 [m3/h]
ZoneModule 20 - VAV Supply 2 Actuator Setpoint	%	2903	3x2904	0	10000	Zone 20; Actual setpoint; VAV inlet damper no. 2 [1/100 %]
ZoneModule 20 - VAV Supply 2 Flow	m3/h	2904	3x2905	0	32767	Zone 20; Actual air quantity; VAV inlet damper no. 2 [m3/h]
ZoneModule 20 - VAV Extract Actuator Setpoint	%	2905	3x2906	0	10000	Zone 20; Actual setpoint; VAV exhaust damper [1/100 %]
ZoneModule 20 - VAV Extract Flow	m3/h	2906	3x2907	0	32767	Zone 20; Actual air quantity; VAV exhaust damper [m3/h]
ZoneModule 20 - Heating Actuator Setpoint	%	2907	3x2908	0	10000	Zone 20; Actual opening, heating valve [1/100 %]
ZoneModule 20 - Cooling Actuator setpoint	%	2908	3x2909	0	10000	Zone 20; Actual opening, cooling valve [1/100 %]
ZoneModule 20 - Room Temperature Actual Value	°C	2909	3x2910	-4000	10000	Zone 20; Actual room temperature [1/100 °C]
ZoneModule 20 - Supply Temperature Actual Value	°C	2910	3x2911	-4000	10000	Zone 20; Actual inlet temperature [1/100 °C]
ZoneModule 20 - Remote Setpoint Offset Actual Value	°C	2911	3x2912	-4000	10000	Zone 20; Actual temperature offset from potentiometer [1/100 °C]
ZoneModule 20 - CO2/VOC Actual Value	ppm	2912	3x2913	0	5000	Zone 20; Actual CO2/VOC level [ppm]
ZoneModule 20 - RH Actual Value	%	2913	3x2914	0	10000	Zone 20; Actual relative humidity level [%rh]
ZoneModule 20 - Room Temperature Actual Setpoint	°C	2914	3x2915	-4000	10000	Zone 20; Actual controller setpoint, room temperature [1/100 °C]
ZoneModule 21 - Status		3000	3x3001	0	2	Actual status, Zone 21: 0 = Normal 1 = B-alarm 2 = A-alarm
ZoneModule 21 - VAV Supply 1 Actuator Setpoint	%	3001	3x3002	0	10000	Zone 21; Actual setpoint; VAV inlet damper no. 1 [1/100 %]
ZoneModule 21 - VAV Supply 1 Flow	m3/h	3002	3x3003	0	32767	Zone 21; Actual air quantity; VAV inlet damper no. 1 [m3/h]
ZoneModule 21 - VAV Supply 2 Actuator Setpoint	%	3003	3x3004	0	10000	Zone 21; Actual setpoint; VAV inlet damper no. 2 [1/100 %]
ZoneModule 21 - VAV Supply 2 Flow	m3/h	3004	3x3005	0	32767	Zone 21; Actual air quantity; VAV inlet damper no. 2 [m3/h]
ZoneModule 21 - VAV Extract Actuator Setpoint	%	3005	3x3006	0	10000	Zone 21; Actual setpoint; VAV exhaust damper [1/100 %]
ZoneModule 21 - VAV Extract Flow	m3/h	3006	3x3007	0	32767	Zone 21; Actual air quantity; VAV exhaust damper [m3/h]
ZoneModule 21 - Heating Actuator Setpoint	%	3007	3x3008	0	10000	Zone 21; Actual opening, heating valve [1/100 %]
ZoneModule 21 - Cooling Actuator setpoint	%	3008	3x3009	0	10000	Zone 21; Actual opening, cooling valve [1/100 %]
ZoneModule 21 - Room Temperature Actual Value	°C	3009	3x3010	-4000	10000	Zone 21; Actual room temperature [1/100 °C]
ZoneModule 21 - Supply Temperature Actual Value	°C	3010	3x3011	-4000	10000	Zone 21; Actual inlet temperature [1/100 °C]
ZoneModule 21 - Remote Setpoint Offset Actual Value	°C	3011	3x3012	-4000	10000	Zone 21; Actual temperature offset from potentiometer [1/100 °C]
ZoneModule 21 - CO2/VOC Actual Value	ppm	3012	3x3013	0	5000	Zone 21; Actual CO2/VOC level [ppm]
ZoneModule 21 - RH Actual Value	%	3013	3x3014	0	10000	Zone 21; Actual relative humidity level [%rh]
ZoneModule 21 - Room Temperature Actual Setpoint	°C	3014	3x3015	-4000	10000	Zone 21; Actual controller setpoint, room temperature [1/100 °C]
ZoneModule 22 - Status		3100	3x3101	0	2	Actual status, Zone 22: 0 = Normal 1 = B-alarm 2 = A-alarm
ZoneModule 22 - VAV Supply 1 Actuator Setpoint	%	3101	3x3102	0	10000	Zone 22; Actual setpoint; VAV inlet damper no. 1 [1/100 %]
ZoneModule 22 - VAV Supply 1 Flow	m3/h	3102	3x3103	0	32767	Zone 22; Actual air quantity; VAV inlet damper no. 1 [m3/h]
ZoneModule 22 - VAV Supply 2 Actuator Setpoint	%	3103	3x3104	0	10000	Zone 22; Actual setpoint; VAV inlet damper no. 2 [1/100 %]
ZoneModule 22 - VAV Supply 2 Flow	m3/h	3104	3x3105	0	32767	Zone 22; Actual air quantity; VAV inlet damper no. 2 [m3/h]
ZoneModule 22 - VAV Extract Actuator Setpoint	%	3105	3x3106	0	10000	Zone 22; Actual setpoint; VAV exhaust damper [1/100 %]
ZoneModule 22 - VAV Extract Flow	m3/h	3106	3x3107	0	32767	Zone 22; Actual air quantity; VAV exhaust damper [m3/h]
ZoneModule 22 - Heating Actuator Setpoint	%	3107	3x3108	0	10000	Zone 22; Actual opening, heating valve [1/100 %]
ZoneModule 22 - Cooling Actuator setpoint	%	3108	3x3109	0	10000	Zone 22; Actual opening, cooling valve [1/100 %]
ZoneModule 22 - Room Temperature Actual Value	°C	3109	3x3110	-4000	10000	Zone 22; Actual room temperature [1/100 °C]
ZoneModule 22 - Supply Temperature Actual Value	°C	3110	3x3111	-4000	10000	Zone 22; Actual inlet temperature [1/100 °C]
ZoneModule 22 - Remote Setpoint Offset Actual Value	°C	3111	3x3112	-4000	10000	Zone 22; Actual temperature offset from potentiometer [1/100 °C]
ZoneModule 22 - CO2/VOC Actual Value	ppm	3112	3x3113	0	5000	Zone 22; Actual CO2/VOC level [ppm]
ZoneModule 22 - RH Actual Value	%	3113	3x3114	0	10000	Zone 22; Actual relative humidity level [%rh]
ZoneModule 22 - Room Temperature Actual Setpoint	°C	3114	3x3115	-4000	10000	Zone 22; Actual controller setpoint, room temperature [1/100 °C]

NAME	UNIT	ADDRESS	REGISTER	MIN.	MAX.	COMMENTS
ZoneModule 23 - Status		3200	3x3201	0	2	Actual status, Zone 23: 0 = Normal 1 = B-alarm 2 = A-alarm
ZoneModule 23 - VAV Supply 1 Actuator Setpoint	%	3201	3x3202	0	10000	Zone 23; Actual setpoint; VAV inlet damper no. 1 [1/100 %]
ZoneModule 23 - VAV Supply 1 Flow	m3/h	3202	3x3203	0	32767	Zone 23; Actual air quantity; VAV inlet damper no. 1 [m3/h]
ZoneModule 23 - VAV Supply 2 Actuator Setpoint	%	3203	3x3204	0	10000	Zone 23; Actual setpoint; VAV inlet damper no. 2 [1/100 %]
ZoneModule 23 - VAV Supply 2 Flow	m3/h	3204	3x3205	0	32767	Zone 23; Actual air quantity; VAV inlet damper no. 2 [m3/h]
ZoneModule 23 - VAV Extract Actuator Setpoint	%	3205	3x3206	0	10000	Zone 23; Actual setpoint; VAV exhaust damper [1/100 %]
ZoneModule 23 - VAV Extract Flow	m3/h	3206	3x3207	0	32767	Zone 23; Actual air quantity; VAV exhaust damper [m3/h]
ZoneModule 23 - Heating Actuator Setpoint	%	3207	3x3208	0	10000	Zone 23; Actual opening, heating valve [1/100 %]
ZoneModule 23 - Cooling Actuator setpoint	%	3208	3x3209	0	10000	Zone 23; Actual opening, cooling valve [1/100 %]
ZoneModule 23 - Room Temperature Actual Value	°C	3209	3x3210	-4000	10000	Zone 23; Actual room temperature [1/100 °C]
ZoneModule 23 - Supply Temperature Actual Value	°C	3210	3x3211	-4000	10000	Zone 23; Actual inlet temperature [1/100 °C]
ZoneModule 23 - Remote Setpoint Offset Actual Value	°C	3211	3x3212	-4000	10000	Zone 23; Actual temperature offset from potentiometer [1/100 °C]
ZoneModule 23 - CO2/VOC Actual Value	ppm	3212	3x3213	0	5000	Zone 23; Actual CO2/VOC level [ppm]
ZoneModule 23 - RH Actual Value	%	3213	3x3214	0	10000	Zone 23; Actual relative humidity level [%rh]
ZoneModule 23 - Room Temperature Actual Setpoint	°C	3214	3x3215	-4000	10000	Zone 23; Actual controller setpoint, room temperature [1/100 °C]
ZoneModule 24 - Status		3300	3x3301	0	2	Actual status, Zone 24: 0 = Normal 1 = B-alarm 2 = A-alarm
ZoneModule 24 - VAV Supply 1 Actuator Setpoint	%	3301	3x3302	0	10000	Zone 24; Actual setpoint; VAV inlet damper no. 1 [1/100 %]
ZoneModule 24 - VAV Supply 1 Flow	m3/h	3302	3x3303	0	32767	Zone 24; Actual air quantity; VAV inlet damper no. 1 [m3/h]
ZoneModule 24 - VAV Supply 2 Actuator Setpoint	%	3303	3x3304	0	10000	Zone 24; Actual setpoint; VAV inlet damper no. 2 [1/100 %]
ZoneModule 24 - VAV Supply 2 Flow	m3/h	3304	3x3305	0	32767	Zone 24; Actual air quantity; VAV inlet damper no. 2 [m3/h]
ZoneModule 24 - VAV Extract Actuator Setpoint	%	3305	3x3306	0	10000	Zone 24; Actual setpoint; VAV exhaust damper [1/100 %]
ZoneModule 24 - VAV Extract Flow	m3/h	3306	3x3307	0	32767	Zone 24; Actual air quantity; VAV exhaust damper [m3/h]
ZoneModule 24 - Heating Actuator Setpoint	%	3307	3x3308	0	10000	Zone 24; Actual opening, heating valve [1/100 %]
ZoneModule 24 - Cooling Actuator setpoint	%	3308	3x3309	0	10000	Zone 24; Actual opening, cooling valve [1/100 %]
ZoneModule 24 - Room Temperature Actual Value	°C	3309	3x3310	-4000	10000	Zone 24; Actual room temperature [1/100 °C]
ZoneModule 24 - Supply Temperature Actual Value	°C	3310	3x3311	-4000	10000	Zone 24; Actual inlet temperature [1/100 °C]
ZoneModule 24 - Remote Setpoint Offset Actual Value	°C	3311	3x3312	-4000	10000	Zone 24; Actual temperature offset from potentiometer [1/100 °C]
ZoneModule 24 - CO2/VOC Actual Value	ppm	3312	3x3313	0	5000	Zone 24; Actual CO2/VOC level [ppm]
ZoneModule 24 - RH Actual Value	%	3313	3x3314	0	10000	Zone 24; Actual relative humidity level [%rh]
ZoneModule 24 - Room Temperature Actual Setpoint	°C	3314	3x3315	-4000	10000	Zone 24; Actual controller setpoint, room temperature [1/100 °C]
ZoneModule 25 - Status		3400	3x3401	0	2	Actual status, Zone 25: 0 = Normal 1 = B-alarm 2 = A-alarm
ZoneModule 25 - VAV Supply 1 Actuator Setpoint	%	3401	3x3402	0	10000	Zone 25; Actual setpoint; VAV inlet damper no. 1 [1/100 %]
ZoneModule 25 - VAV Supply 1 Flow	m3/h	3402	3x3403	0	32767	Zone 25; Actual air quantity; VAV inlet damper no. 1 [m3/h]
ZoneModule 25 - VAV Supply 2 Actuator Setpoint	%	3403	3x3404	0	10000	Zone 25; Actual setpoint; VAV inlet damper no. 2 [1/100 %]
ZoneModule 25 - VAV Supply 2 Flow	m3/h	3404	3x3405	0	32767	Zone 25; Actual air quantity; VAV inlet damper no. 2 [m3/h]
ZoneModule 25 - VAV Extract Actuator Setpoint	%	3405	3x3406	0	10000	Zone 25; Actual setpoint; VAV exhaust damper [1/100 %]
ZoneModule 25 - VAV Extract Flow	m3/h	3406	3x3407	0	32767	Zone 25; Actual air quantity; VAV exhaust damper [m3/h]
ZoneModule 25 - Heating Actuator Setpoint	%	3407	3x3408	0	10000	Zone 25; Actual opening, heating valve [1/100 %]
ZoneModule 25 - Cooling Actuator setpoint	%	3408	3x3409	0	10000	Zone 25; Actual opening, cooling valve [1/100 %]
ZoneModule 25 - Room Temperature Actual Value	°C	3409	3x3410	-4000	10000	Zone 25; Actual room temperature [1/100 °C]
ZoneModule 25 - Supply Temperature Actual Value	°C	3410	3x3411	-4000	10000	Zone 25; Actual inlet temperature [1/100 °C]
ZoneModule 25 - Remote Setpoint Offset Actual Value	°C	3411	3x3412	-4000	10000	Zone 25; Actual temperature offset from potentiometer [1/100 °C]
ZoneModule 25 - CO2/VOC Actual Value	ppm	3412	3x3413	0	5000	Zone 25; Actual CO2/VOC level [ppm]
ZoneModule 25 - RH Actual Value	%	3413	3x3414	0	10000	Zone 25; Actual relative humidity level [%rh]
ZoneModule 25 - Room Temperature Actual Setpoint	°C	3414	3x3415	-4000	10000	Zone 25; Actual controller setpoint, room temperature [1/100 °C]

NAME	UNIT	ADDRESS	REGISTER	MIN.	MAX.	COMMENTS
Number Of Zonemasters		3500	3x3501	0	5	Actual number of interconnected zone masters
ZoneMaster Chain ID		3501	3x3502	0	4	ID of this zone master
ZoneMaster 1 - ZoneMaster Local Alarm Status		4000	3x4001	0	2	Alarm status for zone master no. 1 [0=Normal; 1=B-alarm; 2=A-alarm]
ZoneMaster 2 - ZoneMaster Local Alarm Status		4100	3x4101	0	2	Alarm status for zone master no. 2 [0=Normal; 1=B-alarm; 2=A-alarm]
ZoneMaster 3 - ZoneMaster Local Alarm Status		4200	3x4201	0	2	Alarm status for zone master no. 3 [0=Normal; 1=B-alarm; 2=A-alarm]
ZoneMaster 4 - ZoneMaster Local Alarm Status		4300	3x4301	0	2	Alarm status for zone master no. 4 [0=Normal; 1=B-alarm; 2=A-alarm]
ZoneMaster 5 - ZoneMaster Local Alarm Status		4400	3x4401	0	2	Alarm status for zone master no. 5 [0=Normal; 1=B-alarm; 2=A-alarm]

Holding Registers (R/W)

NAME	UNIT	ADDRESS	REGISTER	MIN.	MAX.	COMMENTS
System Time Year		0	4x0001	2000	2200	Actual year in zone master
System Time Month		1	4x0002	1	12	Actual month in zone master
System Time Date		2	4x0003	1	31	Actual date in zone master
System Time Hour		3	4x0004	0	23	Actual time in zone master
System Time Minute		4	4x0005	0	59	Actual minute in zone master
System Time Second		5	4x0006	0	59	Actual second in zone master
AHU Min Supply Fan Speed	%	100	4x0101	0	10000	Inlet fan, min. speed [1/100 %]
AHU Max Supply Fan Speed	%	101	4x0102	0	10000	Inlet fan, max. speed [1/100 %]
AHU Min Extract Fan Speed	%	102	4x0103	0	10000	Exhaust fan, min. speed [1/100 %]
AHU Max Extract Fan Speed	%	103	4x0104	0	10000	Exhaust fan, max. speed [1/100 %]
Minimum Supply Air Temperature		104	4x0105	0	3000	Min. inlet temperature [1/100 °C]
Highest Allowed Cooling Water Temp		105	4x0106	-4000	10000	Alarm limit for max. cooling water temperature [1/100 °C]
Winter Start Temperature	°C	106	4x0107	-1000	1000	Summer/winter compensation, outdoor temperature for start of winter setting [1/100 °C]
Winter Max Temperature	°C	107	4x0108	-3000	-1000	Summer/winter compensation, outdoor temperature for end of winter setting [1/100 °C]
Winter Temp Diff	°C	108	4x0109	0	1000	Summer/winter compensation, winter compensation [1/100 °C]
Summer Start Temperature	°C	109	4x0110	1000	3000	Summer/winter compensation, outdoor temperature for start of summer setting [1/100 °C]
Summer Max Temperature	°C	110	4x0111	2000	4000	Summer/winter compensation, outdoor temperature for end of summer setting [1/100 °C]
Summer Temp Diff	°C	111	4x0112	-1000	1000	Summer/winter compensation, summer compensation [1/100 °C]
ZoneModule 1 - Room Temperature setpoint	°C	1001	4x1002	500	3500	Zone 1 - Setpoint for room temperature [1/100 °C]
ZoneModule 1 - Minimum Supply Temperature	°C	1002	4x1003	1000	3000	Zone 1 - Setpoint for min. inlet temperature [1/100 °C]
ZoneModule 1 - Maximum Supply Temperature	°C	1003	4x1004	1000	6000	Zone 1 - Max. setpoint inlet temperature [1/100 °C]
ZoneModule 1 - Room CO2 setpoint	ppm	1004	4x1005	100	5000	Zone 1 - Setpoint for CO2 [ppm]
ZoneModule 1 - Room RH setpoint	%	1005	4x1006	0	10000	Zone 1 - Setpoint for relative humidity [1/100 %rh]
ZoneModule 1 - VAV Supply PIR Min. Air Flow	%	1006	4x1007	0	10000	Zone 1 - Min. inlet air quantity with PIR active [1/100 %]
ZoneModule 1 - VAV Supply 1 Min. Air Flow	%	1007	4x1008	0	10000	Zone 1 - Min. inlet air quantity, VAV damper 1 [1/100 %]
ZoneModule 1 - VAV Supply 1 Max. Air Flow	%	1008	4x1009	0	10000	Zone 1 - Max. inlet air quantity, VAV damper 1 [1/100 %]
ZoneModule 1 - VAV Supply 2 Min. Air Flow	%	1009	4x1010	0	10000	Zone 1 - Min. inlet air quantity, VAV damper 2 [1/100 %]
ZoneModule 1 - VAV Supply 2 Max. Air Flow	%	1010	4x1011	0	10000	Zone 1 - Max. inlet air quantity, VAV damper 2 [1/100 %]
ZoneModule 1 - VAV Extract Min. Air Flow	%	1011	4x1012	0	10000	Zone 1 - Min. exhaust air quantity [1/100 %]
ZoneModule 1 - VAV Extract Max. Air Flow	%	1012	4x1013	0	10000	Zone 1 - Max. exhaust air quantity [1/100 %]

NAME	UNIT	ADDRESS	REGISTER	MIN.	MAX.	COMMENTS
ZoneModule 2 - Room Temperature setpoint	°C	1101	4x1102	500	3500	Zone 2 - Setpoint for room temperature [1/100 °C]
ZoneModule 2 - Minimum Supply Temperature	°C	1102	4x1103	1000	3000	Zone 2 - Setpoint for min. inlet temperature [1/100 °C]
ZoneModule 2 - Maximum Supply Temperature	°C	1103	4x1104	1000	6000	Zone 2 - Setpoint for max. inlet temperature [1/100 °C]
ZoneModule 2 - Room CO2 setpoint	ppm	1104	4x1105	100	5000	Zone 2 - Setpoint for CO2 [ppm]
ZoneModule 2 - Room RH setpoint	%	1105	4x1106	0	10000	Zone 2 - Setpoint for relative humidity [1/100 %rh]
ZoneModule 2 - VAV Supply PIR Min. Air Flow	%	1106	4x1107	0	10000	Zone 2 - Min. inlet air quantity with PIR active [1/100 %]
ZoneModule 2 - VAV Supply 1 Min. Air Flow	%	1107	4x1108	0	10000	Zone 2 - Min. inlet air quantity, VAV damper 1 [1/100 %]
ZoneModule 2 - VAV Supply 1 Max. Air Flow	%	1108	4x1109	0	10000	Zone 2 - Max. inlet air quantity, VAV damper 1 [1/100 %]
ZoneModule 2 - VAV Supply 2 Min. Air Flow	%	1109	4x1110	0	10000	Zone 2 - Min. inlet air quantity, VAV damper 2 [1/100 %]
ZoneModule 2 - VAV Supply 2 Max. Air Flow	%	1110	4x1111	0	10000	Zone 2 - Max. inlet air quantity, VAV damper 2 [1/100 %]
ZoneModule 2 - VAV Extract Min. Air Flow	%	1111	4x1112	0	10000	Zone 2 - Min. exhaust air quantity [1/100 %]
ZoneModule 2 - VAV Extract Max. Air Flow	%	1112	4x1113	0	10000	Zone 2 - Max. exhaust air quantity [1/100 %]
ZoneModule 3 - Room Temperature setpoint	°C	1201	4x1202	500	3500	Zone 3 - Setpoint for room temperature [1/100 °C]
ZoneModule 3 - Minimum Supply Temperature	°C	1202	4x1203	1000	3000	Zone 3 - Setpoint for min. inlet temperature [1/100 °C]
ZoneModule 3 - Maximum Supply Temperature	°C	1203	4x1204	1000	6000	Zone 3 - Setpoint for max. inlet temperature [1/100 °C]
ZoneModule 3 - Room CO2 setpoint	ppm	1204	4x1205	100	5000	Zone 3 - Setpoint for CO2 [ppm]
ZoneModule 3 - Room RH setpoint	%	1205	4x1206	0	10000	Zone 3 - Setpoint for relative humidity [1/100 %rh]
ZoneModule 3 - VAV Supply PIR Min. Air Flow	%	1206	4x1207	0	10000	Zone 3 - Min. inlet air quantity with PIR active [1/100 %]
ZoneModule 3 - VAV Supply 1 Min. Air Flow	%	1207	4x1208	0	10000	Zone 3 - Min. inlet air quantity, VAV damper 1 [1/100 %]
ZoneModule 3 - VAV Supply 1 Max. Air Flow	%	1208	4x1209	0	10000	Zone 3 - Max. inlet air quantity, VAV damper 1 [1/100 %]
ZoneModule 3 - VAV Supply 2 Min. Air Flow	%	1209	4x1210	0	10000	Zone 3 - Min. inlet air quantity, VAV damper 2 [1/100 %]
ZoneModule 3 - VAV Supply 2 Max. Air Flow	%	1210	4x1211	0	10000	Zone 3 - Max. inlet air quantity, VAV damper 2 [1/100 %]
ZoneModule 3 - VAV Extract Min. Air Flow	%	1211	4x1212	0	10000	Zone 3 - Min. exhaust air quantity [1/100 %]
ZoneModule 3 - VAV Extract Max. Air Flow	%	1212	4x1213	0	10000	Zone 3 - Max. exhaust air quantity [1/100 %]
ZoneModule 4 - Room Temperature setpoint	°C	1301	4x1302	500	3500	Zone 4 - Setpoint for room temperature [1/100 °C]
ZoneModule 4 - Minimum Supply Temperature	°C	1302	4x1303	1000	3000	Zone 4 - Setpoint for min. inlet temperature [1/100 °C]
ZoneModule 4 - Maximum Supply Temperature	°C	1303	4x1304	1000	6000	Zone 4 - Setpoint for max. inlet temperature [1/100 °C]
ZoneModule 4 - Room CO2 setpoint	ppm	1304	4x1305	100	5000	Zone 4 - Setpoint for CO2 [ppm]
ZoneModule 4 - Room RH setpoint	%	1305	4x1306	0	10000	Zone 4 - Setpoint for relative humidity [1/100 %rh]
ZoneModule 4 - VAV Supply PIR Min. Air Flow	%	1306	4x1307	0	10000	Zone 4 - Min. inlet air quantity with PIR active [1/100 %]
ZoneModule 4 - VAV Supply 1 Min. Air Flow	%	1307	4x1308	0	10000	Zone 4 - Min. inlet air quantity, VAV damper 1 [1/100 %]
ZoneModule 4 - VAV Supply 1 Max. Air Flow	%	1308	4x1309	0	10000	Zone 4 - Max. inlet air quantity, VAV damper 1 [1/100 %]
ZoneModule 4 - VAV Supply 2 Min. Air Flow	%	1309	4x1310	0	10000	Zone 4 - Min. inlet air quantity, VAV damper 2 [1/100 %]
ZoneModule 4 - VAV Supply 2 Max. Air Flow	%	1310	4x1311	0	10000	Zone 4 - Max. inlet air quantity, VAV damper 2 [1/100 %]
ZoneModule 4 - VAV Extract Min. Air Flow	%	1311	4x1312	0	10000	Zone 4 - Min. exhaust air quantity [1/100 %]
ZoneModule 4 - VAV Extract Max. Air Flow	%	1312	4x1313	0	10000	Zone 4 - Max. exhaust air quantity [1/100 %]

NAME	UNIT	ADDRESS	REGISTER	MIN.	MAX.	COMMENTS
ZoneModule 5 - Room Temperature setpoint	°C	1401	4x1402	500	3500	Zone 5 - Setpoint for room temperature [1/100 °C]
ZoneModule 5 - Minimum Supply Temperature	°C	1402	4x1403	1000	3000	Zone 5 - Setpoint for min. inlet temperature [1/100 °C]
ZoneModule 5 - Maximum Supply Temperature	°C	1403	4x1404	1000	6000	Zone 5 - Setpoint for max. inlet temperature [1/100 °C]
ZoneModule 5 - Room CO2 setpoint	ppm	1404	4x1405	100	5000	Zone 5 - Setpoint for CO2 [ppm]
ZoneModule 5 - Room RH setpoint	%	1405	4x1406	0	10000	Zone 5 - Setpoint for relative humidity [1/100 %rh]
ZoneModule 5 - VAV Supply PIR Min. Air Flow	%	1406	4x1407	0	10000	Zone 5 - Min. inlet air quantity with PIR active [1/100 %]
ZoneModule 5 - VAV Supply 1 Min. Air Flow	%	1407	4x1408	0	10000	Zone 5 - Min. inlet air quantity, VAV damper 1 [1/100 %]
ZoneModule 5 - VAV Supply 1 Max. Air Flow	%	1408	4x1409	0	10000	Zone 5 - Max. inlet air quantity, VAV damper 1 [1/100 %]
ZoneModule 5 - VAV Supply 2 Min. Air Flow	%	1409	4x1410	0	10000	Zone 5 - Min. inlet air quantity, VAV damper 2 [1/100 %]
ZoneModule 5 - VAV Supply 2 Max. Air Flow	%	1410	4x1411	0	10000	Zone 5 - Max. inlet air quantity, VAV damper 2 [1/100 %]
ZoneModule 5 - VAV Extract Min. Air Flow	%	1411	4x1412	0	10000	Zone 5 - Min. exhaust air quantity [1/100 %]
ZoneModule 5 - VAV Extract Max. Air Flow	%	1412	4x1413	0	10000	Zone 5 - Max. exhaust air quantity [1/100 %]
ZoneModule 6 - Room Temperature setpoint	°C	1501	4x1502	500	3500	Zone 6 - Setpoint for room temperature [1/100 °C]
ZoneModule 6 - Minimum Supply Temperature	°C	1502	4x1503	1000	3000	Zone 6 - Setpoint for min. inlet temperature [1/100 °C]
ZoneModule 6 - Maximum Supply Temperature	°C	1503	4x1504	1000	6000	Zone 6 - Setpoint for max. inlet temperature [1/100 °C]
ZoneModule 6 - Room CO2 setpoint	ppm	1504	4x1505	100	5000	Zone 6 - Setpoint for CO2 [ppm]
ZoneModule 6 - Room RH setpoint	%	1505	4x1506	0	10000	Zone 6 - Setpoint for relative humidity [1/100 %rh]
ZoneModule 6 - VAV Supply PIR Min. Air Flow	%	1506	4x1507	0	10000	Zone 6 - Min. inlet air quantity with PIR active [1/100 %]
ZoneModule 6 - VAV Supply 1 Min. Air Flow	%	1507	4x1508	0	10000	Zone 6 - Min. inlet air quantity, VAV damper 1 [1/100 %]
ZoneModule 6 - VAV Supply 1 Max. Air Flow	%	1508	4x1509	0	10000	Zone 6 - Max. inlet air quantity, VAV damper 1 [1/100 %]
ZoneModule 6 - VAV Supply 2 Min. Air Flow	%	1509	4x1510	0	10000	Zone 6 - Min. inlet air quantity, VAV damper 2 [1/100 %]
ZoneModule 6 - VAV Supply 2 Max. Air Flow	%	1510	4x1511	0	10000	Zone 6 - Max. inlet air quantity, VAV damper 2 [1/100 %]
ZoneModule 6 - VAV Extract Min. Air Flow	%	1511	4x1512	0	10000	Zone 6 - Min. exhaust air quantity [1/100 %]
ZoneModule 6 - VAV Extract Max. Air Flow	%	1512	4x1513	0	10000	Zone 6 - Max. exhaust air quantity [1/100 %]
ZoneModule 7 - Room Temperature setpoint	°C	1601	4x1602	500	3500	Zone 7 - Setpoint for room temperature [1/100 °C]
ZoneModule 7 - Minimum Supply Temperature	°C	1602	4x1603	1000	3000	Zone 7 - Setpoint for min. inlet temperature [1/100 °C]
ZoneModule 7 - Maximum Supply Temperature	°C	1603	4x1604	1000	6000	Zone 7 - Setpoint for max. inlet temperature [1/100 °C]
ZoneModule 7 - Room CO2 setpoint	ppm	1604	4x1605	100	5000	Zone 7 - Setpoint for CO2 [ppm]
ZoneModule 7 - Room RH setpoint	%	1605	4x1606	0	10000	Zone 7 - Setpoint for relative humidity [1/100 %rh]
ZoneModule 7 - VAV Supply PIR Min. Air Flow	%	1606	4x1607	0	10000	Zone 7 - Min. inlet air quantity with PIR active [1/100 %]
ZoneModule 7 - VAV Supply 1 Min. Air Flow	%	1607	4x1608	0	10000	Zone 7 - Min. inlet air quantity, VAV damper 1 [1/100 %]
ZoneModule 7 - VAV Supply 1 Max. Air Flow	%	1608	4x1609	0	10000	Zone 7 - Max. inlet air quantity, VAV damper 1 [1/100 %]
ZoneModule 7 - VAV Supply 2 Min. Air Flow	%	1609	4x1610	0	10000	Zone 7 - Min. inlet air quantity, VAV damper 2 [1/100 %]
ZoneModule 7 - VAV Supply 2 Max. Air Flow	%	1610	4x1611	0	10000	Zone 7 - Max. inlet air quantity, VAV damper 2 [1/100 %]
ZoneModule 7 - VAV Extract Min. Air Flow	%	1611	4x1612	0	10000	Zone 7 - Min. exhaust air quantity [1/100 %]
ZoneModule 7 - VAV Extract Max. Air Flow	%	1612	4x1613	0	10000	Zone 7 - Max. exhaust air quantity [1/100 %]

NAME	UNIT	ADDRESS	REGISTER	MIN.	MAX.	COMMENTS
ZoneModule 8 - Room Temperature setpoint	°C	1701	4x1702	500	3500	Zone 8 - Setpoint for room temperature [1/100 °C]
ZoneModule 8 - Minimum Supply Temperature	°C	1702	4x1703	1000	3000	Zone 8 - Setpoint for min. inlet temperature [1/100 °C]
ZoneModule 8 - Maximum Supply Temperature	°C	1703	4x1704	1000	6000	Zone 8 - Setpoint for max. inlet temperature [1/100 °C]
ZoneModule 8 - Room CO2 setpoint	ppm	1704	4x1705	100	5000	Zone 8 - Setpoint for CO2 [ppm]
ZoneModule 8 - Room RH setpoint	%	1705	4x1706	0	10000	Zone 8 - Setpoint for relative humidity [1/100 %rh]
ZoneModule 8 - VAV Supply PIR Min. Air Flow	%	1706	4x1707	0	10000	Zone 8 - Min. inlet air quantity with PIR active [1/100 %]
ZoneModule 8 - VAV Supply 1 Min. Air Flow	%	1707	4x1708	0	10000	Zone 8 - Min. inlet air quantity, VAV damper 1 [1/100 %]
ZoneModule 8 - VAV Supply 1 Max. Air Flow	%	1708	4x1709	0	10000	Zone 8 - Max. inlet air quantity, VAV damper 1 [1/100 %]
ZoneModule 8 - VAV Supply 2 Min. Air Flow	%	1709	4x1710	0	10000	Zone 8 - Min. inlet air quantity, VAV damper 2 [1/100 %]
ZoneModule 8 - VAV Supply 2 Max. Air Flow	%	1710	4x1711	0	10000	Zone 8 - Max. inlet air quantity, VAV damper 2 [1/100 %]
ZoneModule 8 - VAV Extract Min. Air Flow	%	1711	4x1712	0	10000	Zone 8 - Min. exhaust air quantity [1/100 %]
ZoneModule 8 - VAV Extract Max. Air Flow	%	1712	4x1713	0	10000	Zone 8 - Max. exhaust air quantity [1/100 %]
ZoneModule 9 - Room Temperature setpoint	°C	1801	4x1802	500	3500	Zone 9 - Setpoint for room temperature [1/100 °C]
ZoneModule 9 - Minimum Supply Temperature	°C	1802	4x1803	1000	3000	Zone 9 - Setpoint for min. inlet temperature [1/100 °C]
ZoneModule 9 - Maximum Supply Temperature	°C	1803	4x1804	1000	6000	Zone 9 - Setpoint for max. inlet temperature [1/100 °C]
ZoneModule 9 - Room CO2 setpoint	ppm	1804	4x1805	100	5000	Zone 9 - Setpoint for CO2 [ppm]
ZoneModule 9 - Room RH setpoint	%	1805	4x1806	0	10000	Zone 9 - Setpoint for relative humidity [1/100 %rh]
ZoneModule 9 - VAV Supply PIR Min. Air Flow	%	1806	4x1807	0	10000	Zone 9 - Min. inlet air quantity with PIR active [1/100 %]
ZoneModule 9 - VAV Supply 1 Min. Air Flow	%	1807	4x1808	0	10000	Zone 9 - Min. inlet air quantity, VAV damper 1 [1/100 %]
ZoneModule 9 - VAV Supply 1 Max. Air Flow	%	1808	4x1809	0	10000	Zone 9 - Max. inlet air quantity, VAV damper 1 [1/100 %]
ZoneModule 9 - VAV Supply 2 Min. Air Flow	%	1809	4x1810	0	10000	Zone 9 - Min. inlet air quantity, VAV damper 2 [1/100 %]
ZoneModule 9 - VAV Supply 2 Max. Air Flow	%	1810	4x1811	0	10000	Zone 9 - Max. inlet air quantity, VAV damper 2 [1/100 %]
ZoneModule 9 - VAV Extract Min. Air Flow	%	1811	4x1812	0	10000	Zone 9 - Min. exhaust air quantity [1/100 %]
ZoneModule 9 - VAV Extract Max. Air Flow	%	1812	4x1813	0	10000	Zone 9 - Max. exhaust air quantity [1/100 %]
ZoneModule 10 - Room Temperature setpoint	°C	1901	4x1902	500	3500	Zone 10 - Setpoint for room temperature [1/100 °C]
ZoneModule 10 - Minimum Supply Temperature	°C	1902	4x1903	1000	3000	Zone 10 - Setpoint for min. inlet temperature [1/100 °C]
ZoneModule 10 - Maximum Supply Temperature	°C	1903	4x1904	1000	6000	Zone 10 - Setpoint for max. inlet temperature [1/100 °C]
ZoneModule 10 - Room CO2 setpoint	ppm	1904	4x1905	100	5000	Zone 10 - Setpoint for CO2 [ppm]
ZoneModule 10 - Room RH setpoint	%	1905	4x1906	0	10000	Zone 10 - Setpoint for relative humidity [1/100 %rh]
ZoneModule 10 - VAV Supply PIR Min. Air Flow	%	1906	4x1907	0	10000	Zone 10 - Min. inlet air quantity with PIR active [1/100 %]
ZoneModule 10 - VAV Supply 1 Min. Air Flow	%	1907	4x1908	0	10000	Zone 10 - Min. inlet air quantity, VAV damper 1 [1/100 %]
ZoneModule 10 - VAV Supply 1 Max. Air Flow	%	1908	4x1909	0	10000	Zone 10 - Max. inlet air quantity, VAV damper 1 [1/100 %]
ZoneModule 10 - VAV Supply 2 Min. Air Flow	%	1909	4x1910	0	10000	Zone 10 - Min. inlet air quantity, VAV damper 2 [1/100 %]
ZoneModule 10 - VAV Supply 2 Max. Air Flow	%	1910	4x1911	0	10000	Zone 10 - Max. inlet air quantity, VAV damper 2 [1/100 %]
ZoneModule 10 - VAV Extract Min. Air Flow	%	1911	4x1912	0	10000	Zone 10 - Min. exhaust air quantity [1/100 %]
ZoneModule 10 - VAV Extract Max. Air Flow	%	1912	4x1913	0	10000	Zone 10 - Max. exhaust air quantity [1/100 %]

NAME	UNIT	ADDRESS	REGISTER	MIN.	MAX.	COMMENTS
ZoneModule 11 - Room Temperature setpoint	°C	2001	4x2002	500	3500	Zone 11 - Setpoint for room temperature [1/100 °C]
ZoneModule 11 - Minimum Supply Temperature	°C	2002	4x2003	1000	3000	Zone 11 - Setpoint for min. inlet temperature [1/100 °C]
ZoneModule 11 - Maximum Supply Temperature	°C	2003	4x2004	1000	6000	Zone 11 - Setpoint for max. inlet temperature [1/100 °C]
ZoneModule 11 - Room CO2 setpoint	ppm	2004	4x2005	100	5000	Zone 11 - Setpoint for CO2 [ppm]
ZoneModule 11 - Room RH setpoint	%	2005	4x2006	0	10000	Zone 11 - Setpoint for relative humidity [1/100 %rh]
ZoneModule 11 - VAV Supply PIR Min. Air Flow	%	2006	4x2007	0	10000	Zone 11 - Min. inlet air quantity with PIR active [1/100 %]
ZoneModule 11 - VAV Supply 1 Min. Air Flow	%	2007	4x2008	0	10000	Zone 11 - Min. inlet air quantity, VAV damper 1 [1/100 %]
ZoneModule 11 - VAV Supply 1 Max. Air Flow	%	2008	4x2009	0	10000	Zone 11 - Max. inlet air quantity, VAV damper 1 [1/100 %]
ZoneModule 11 - VAV Supply 2 Min. Air Flow	%	2009	4x2010	0	10000	Zone 11 - Min. inlet air quantity, VAV damper 2 [1/100 %]
ZoneModule 11 - VAV Supply 2 Max. Air Flow	%	2010	4x2011	0	10000	Zone 11 - Max. inlet air quantity, VAV damper 2 [1/100 %]
ZoneModule 11 - VAV Extract Min. Air Flow	%	2011	4x2012	0	10000	Zone 11 - Min. exhaust air quantity [1/100 %]
ZoneModule 11 - VAV Extract Max. Air Flow	%	2012	4x2013	0	10000	Zone 11 - Max. exhaust air quantity [1/100 %]
ZoneModule 12 - Room Temperature setpoint	°C	2101	4x2102	500	3500	Zone 12 - Setpoint for room temperature [1/100 °C]
ZoneModule 12 - Minimum Supply Temperature	°C	2102	4x2103	1000	3000	Zone 12 - Setpoint for min. inlet temperature [1/100 °C]
ZoneModule 12 - Maximum Supply Temperature	°C	2103	4x2104	1000	6000	Zone 12 - Setpoint for max. inlet temperature [1/100 °C]
ZoneModule 12 - Room CO2 setpoint	ppm	2104	4x2105	100	5000	Zone 12 - Setpoint for CO2 [ppm]
ZoneModule 12 - Room RH setpoint	%	2105	4x2106	0	10000	Zone 12 - Setpoint for relative humidity [1/100 %rh]
ZoneModule 12 - VAV Supply PIR Min. Air Flow	%	2106	4x2107	0	10000	Zone 12 - Min. inlet air quantity with PIR active [1/100 %]
ZoneModule 12 - VAV Supply 1 Min. Air Flow	%	2107	4x2108	0	10000	Zone 12 - Min. inlet air quantity, VAV damper 1 [1/100 %]
ZoneModule 12 - VAV Supply 1 Max. Air Flow	%	2108	4x2109	0	10000	Zone 12 - Max. inlet air quantity, VAV damper 1 [1/100 %]
ZoneModule 12 - VAV Supply 2 Min. Air Flow	%	2109	4x2110	0	10000	Zone 12 - Min. inlet air quantity, VAV damper 2 [1/100 %]
ZoneModule 12 - VAV Supply 2 Max. Air Flow	%	2110	4x2111	0	10000	Zone 12 - Max. inlet air quantity, VAV damper 2 [1/100 %]
ZoneModule 12 - VAV Extract Min. Air Flow	%	2111	4x2112	0	10000	Zone 12 - Min. exhaust air quantity [1/100 %]
ZoneModule 12 - VAV Extract Max. Air Flow	%	2112	4x2113	0	10000	Zone 12 - Max. exhaust air quantity [1/100 %]
ZoneModule 13 - Room Temperature setpoint	°C	2201	4x2202	500	3500	Zone 13 - Setpoint for room temperature [1/100 °C]
ZoneModule 13 - Minimum Supply Temperature	°C	2202	4x2203	1000	3000	Zone 13 - Setpoint for min. inlet temperature [1/100 °C]
ZoneModule 13 - Maximum Supply Temperature	°C	2203	4x2204	1000	6000	Zone 13 - Setpoint for max. inlet temperature [1/100 °C]
ZoneModule 13 - Room CO2 setpoint	ppm	2204	4x2205	100	5000	Zone 13 - Setpoint for CO2 [ppm]
ZoneModule 13 - Room RH setpoint	%	2205	4x2206	0	10000	Zone 13 - Setpoint for relative humidity [1/100 %rh]
ZoneModule 13 - VAV Supply PIR Min. Air Flow	%	2206	4x2207	0	10000	Zone 13 - Min. inlet air quantity with PIR active [1/100 %]
ZoneModule 13 - VAV Supply 1 Min. Air Flow	%	2207	4x2208	0	10000	Zone 13 - Min. inlet air quantity, VAV damper 1 [1/100 %]
ZoneModule 13 - VAV Supply 1 Max. Air Flow	%	2208	4x2209	0	10000	Zone 13 - Max. inlet air quantity, VAV damper 1 [1/100 %]
ZoneModule 13 - VAV Supply 2 Min. Air Flow	%	2209	4x2210	0	10000	Zone 13 - Min. inlet air quantity, VAV damper 2 [1/100 %]
ZoneModule 13 - VAV Supply 2 Max. Air Flow	%	2210	4x2211	0	10000	Zone 13 - Max. inlet air quantity, VAV damper 2 [1/100 %]
ZoneModule 13 - VAV Extract Min. Air Flow	%	2211	4x2212	0	10000	Zone 13 - Min. exhaust air quantity [1/100 %]
ZoneModule 13 - VAV Extract Max. Air Flow	%	2212	4x2213	0	10000	Zone 13 - Max. exhaust air quantity [1/100 %]

NAME	UNIT	ADDRESS	REGISTER	MIN.	MAX.	COMMENTS
ZoneModule 14 - Room Temperature setpoint	°C	2301	4x2302	500	3500	Zone 14 - Setpoint for room temperature [1/100 °C]
ZoneModule 14 - Minimum Supply Temperature	°C	2302	4x2303	1000	3000	Zone 14 - Setpoint for min. inlet temperature [1/100 °C]
ZoneModule 14 - Maximum Supply Temperature	°C	2303	4x2304	1000	6000	Zone 14 - Setpoint for max. inlet temperature [1/100 °C]
ZoneModule 14 - Room CO2 setpoint	ppm	2304	4x2305	100	5000	Zone 14 - Setpoint for CO2 [ppm]
ZoneModule 14 - Room RH setpoint	%	2305	4x2306	0	10000	Zone 14 - Setpoint for relative humidity [1/100 %rh]
ZoneModule 14 - VAV Supply PIR Min. Air Flow	%	2306	4x2307	0	10000	Zone 14 - Min. inlet air quantity with PIR active [1/100 %]
ZoneModule 14 - VAV Supply 1 Min. Air Flow	%	2307	4x2308	0	10000	Zone 14 - Min. inlet air quantity, VAV damper 1 [1/100 %]
ZoneModule 14 - VAV Supply 1 Max. Air Flow	%	2308	4x2309	0	10000	Zone 14 - Max. inlet air quantity, VAV damper 1 [1/100 %]
ZoneModule 14 - VAV Supply 2 Min. Air Flow	%	2309	4x2310	0	10000	Zone 14 - Min. inlet air quantity, VAV damper 2 [1/100 %]
ZoneModule 14 - VAV Supply 2 Max. Air Flow	%	2310	4x2311	0	10000	Zone 14 - Max. inlet air quantity, VAV damper 2 [1/100 %]
ZoneModule 14 - VAV Extract Min. Air Flow	%	2311	4x2312	0	10000	Zone 14 - Min. exhaust air quantity [1/100 %]
ZoneModule 14 - VAV Extract Max. Air Flow	%	2312	4x2313	0	10000	Zone 14 - Max. exhaust air quantity [1/100 %]
ZoneModule 15 - Room Temperature setpoint	°C	2401	4x2402	500	3500	Zone 15 - Setpoint for room temperature [1/100 °C]
ZoneModule 15 - Minimum Supply Temperature	°C	2402	4x2403	1000	3000	Zone 15 - Setpoint for min. inlet temperature [1/100 °C]
ZoneModule 15 - Maximum Supply Temperature	°C	2403	4x2404	1000	6000	Zone 15 - Setpoint for max. inlet temperature [1/100 °C]
ZoneModule 15 - Room CO2 setpoint	ppm	2404	4x2405	100	5000	Zone 15 - Setpoint for CO2 [ppm]
ZoneModule 15 - Room RH setpoint	%	2405	4x2406	0	10000	Zone 15 - Setpoint for relative humidity [1/100 %rh]
ZoneModule 15 - VAV Supply PIR Min. Air Flow	%	2406	4x2407	0	10000	Zone 15 - Min. inlet air quantity with PIR active [1/100 %]
ZoneModule 15 - VAV Supply 1 Min. Air Flow	%	2407	4x2408	0	10000	Zone 15 - Min. inlet air quantity, VAV damper 1 [1/100 %]
ZoneModule 15 - VAV Supply 1 Max. Air Flow	%	2408	4x2409	0	10000	Zone 15 - Max. inlet air quantity, VAV damper 1 [1/100 %]
ZoneModule 15 - VAV Supply 2 Min. Air Flow	%	2409	4x2410	0	10000	Zone 15 - Min. inlet air quantity, VAV damper 2 [1/100 %]
ZoneModule 15 - VAV Supply 2 Max. Air Flow	%	2410	4x2411	0	10000	Zone 15 - Max. inlet air quantity, VAV damper 2 [1/100 %]
ZoneModule 15 - VAV Extract Min. Air Flow	%	2411	4x2412	0	10000	Zone 15 - Min. exhaust air quantity [1/100 %]
ZoneModule 15 - VAV Extract Max. Air Flow	%	2412	4x2413	0	10000	Zone 15 - Max. exhaust air quantity [1/100 %]
ZoneModule 16 - Room Temperature setpoint	°C	2501	4x2502	500	3500	Zone 16 - Setpoint for room temperature [1/100 °C]
ZoneModule 16 - Minimum Supply Temperature	°C	2502	4x2503	1000	3000	Zone 16 - Setpoint for min. inlet temperature [1/100 °C]
ZoneModule 16 - Maximum Supply Temperature	°C	2503	4x2504	1000	6000	Zone 16 - Setpoint for max. inlet temperature [1/100 °C]
ZoneModule 16 - Room CO2 setpoint	ppm	2504	4x2505	100	5000	Zone 16 - Setpoint for CO2 [ppm]
ZoneModule 16 - Room RH setpoint	%	2505	4x2506	0	10000	Zone 16 - Setpoint for relative humidity [1/100 %rh]
ZoneModule 16 - VAV Supply PIR Min. Air Flow	%	2506	4x2507	0	10000	Zone 16 - Min. inlet air quantity with PIR active [1/100 %]
ZoneModule 16 - VAV Supply 1 Min. Air Flow	%	2507	4x2508	0	10000	Zone 16 - Min. inlet air quantity, VAV damper 1 [1/100 %]
ZoneModule 16 - VAV Supply 1 Max. Air Flow	%	2508	4x2509	0	10000	Zone 16 - Max. inlet air quantity, VAV damper 1 [1/100 %]
ZoneModule 16 - VAV Supply 2 Min. Air Flow	%	2509	4x2510	0	10000	Zone 16 - Min. inlet air quantity, VAV damper 2 [1/100 %]
ZoneModule 16 - VAV Supply 2 Max. Air Flow	%	2510	4x2511	0	10000	Zone 16 - Max. inlet air quantity, VAV damper 2 [1/100 %]
ZoneModule 16 - VAV Extract Min. Air Flow	%	2511	4x2512	0	10000	Zone 16 - Min. exhaust air quantity [1/100 %]
ZoneModule 16 - VAV Extract Max. Air Flow	%	2512	4x2513	0	10000	Zone 16 - Max. exhaust air quantity [1/100 %]

NAME	UNIT	ADDRESS	REGISTER	MIN.	MAX.	COMMENTS
ZoneModule 17 - Room Temperature setpoint	°C	2601	4x2602	500	3500	Zone 17 - Setpoint for room temperature [1/100 °C]
ZoneModule 17 - Minimum Supply Temperature	°C	2602	4x2603	1000	3000	Zone 17 - Setpoint for min. inlet temperature [1/100 °C]
ZoneModule 17 - Maximum Supply Temperature	°C	2603	4x2604	1000	6000	Zone 17 - Setpoint for max. inlet temperature [1/100 °C]
ZoneModule 17 - Room CO2 setpoint	ppm	2604	4x2605	100	5000	Zone 17 - Setpoint for CO2 [ppm]
ZoneModule 17 - Room RH setpoint	%	2605	4x2606	0	10000	Zone 17 - Setpoint for relative humidity [1/100 %rh]
ZoneModule 17 - VAV Supply PIR Min. Air Flow	%	2606	4x2607	0	10000	Zone 17 - Min. inlet air quantity with PIR active [1/100 %]
ZoneModule 17 - VAV Supply 1 Min. Air Flow	%	2607	4x2608	0	10000	Zone 17 - Min. inlet air quantity, VAV damper 1 [1/100 %]
ZoneModule 17 - VAV Supply 1 Max. Air Flow	%	2608	4x2609	0	10000	Zone 17 - Max. inlet air quantity, VAV damper 1 [1/100 %]
ZoneModule 17 - VAV Supply 2 Min. Air Flow	%	2609	4x2610	0	10000	Zone 17 - Min. inlet air quantity, VAV damper 2 [1/100 %]
ZoneModule 17 - VAV Supply 2 Max. Air Flow	%	2610	4x2611	0	10000	Zone 17 - Max. inlet air quantity, VAV damper 2 [1/100 %]
ZoneModule 17 - VAV Extract Min. Air Flow	%	2611	4x2612	0	10000	Zone 17 - Min. exhaust air quantity [1/100 %]
ZoneModule 17 - VAV Extract Max. Air Flow	%	2612	4x2613	0	10000	Zone 17 - Max. exhaust air quantity [1/100 %]
ZoneModule 18 - Room Temperature setpoint	°C	2701	4x2702	500	3500	Zone 18 - Setpoint for room temperature [1/100 °C]
ZoneModule 18 - Minimum Supply Temperature	°C	2702	4x2703	1000	3000	Zone 18 - Setpoint for min. inlet temperature [1/100 °C]
ZoneModule 18 - Maximum Supply Temperature	°C	2703	4x2704	1000	6000	Zone 18 - Setpoint for max. inlet temperature [1/100 °C]
ZoneModule 18 - Room CO2 setpoint	ppm	2704	4x2705	100	5000	Zone 18 - Setpoint for CO2 [ppm]
ZoneModule 18 - Room RH setpoint	%	2705	4x2706	0	10000	Zone 18 - Setpoint for relative humidity [1/100 %rh]
ZoneModule 18 - VAV Supply PIR Min. Air Flow	%	2706	4x2707	0	10000	Zone 18 - Min. inlet air quantity with PIR active [1/100 %]
ZoneModule 18 - VAV Supply 1 Min. Air Flow	%	2707	4x2708	0	10000	Zone 18 - Min. inlet air quantity, VAV damper 1 [1/100 %]
ZoneModule 18 - VAV Supply 1 Max. Air Flow	%	2708	4x2709	0	10000	Zone 18 - Max. inlet air quantity, VAV damper 1 [1/100 %]
ZoneModule 18 - VAV Supply 2 Min. Air Flow	%	2709	4x2710	0	10000	Zone 18 - Min. inlet air quantity, VAV damper 2 [1/100 %]
ZoneModule 18 - VAV Supply 2 Max. Air Flow	%	2710	4x2711	0	10000	Zone 18 - Max. inlet air quantity, VAV damper 2 [1/100 %]
ZoneModule 18 - VAV Extract Min. Air Flow	%	2711	4x2712	0	10000	Zone 18 - Min. exhaust air quantity [1/100 %]
ZoneModule 18 - VAV Extract Max. Air Flow	%	2712	4x2713	0	10000	Zone 18 - Max. exhaust air quantity [1/100 %]
ZoneModule 19 - Room Temperature setpoint	°C	2801	4x2802	500	3500	Zone 19 - Setpoint for room temperature [1/100 °C]
ZoneModule 19 - Minimum Supply Temperature	°C	2802	4x2803	1000	3000	Zone 19 - Setpoint for min. inlet temperature [1/100 °C]
ZoneModule 19 - Maximum Supply Temperature	°C	2803	4x2804	1000	6000	Zone 19 - Setpoint for max. inlet temperature [1/100 °C]
ZoneModule 19 - Room CO2 setpoint	ppm	2804	4x2805	100	5000	Zone 19 - Setpoint for CO2 [ppm]
ZoneModule 19 - Room RH setpoint	%	2805	4x2806	0	10000	Zone 19 - Setpoint for relative humidity [1/100 %rh]
ZoneModule 19 - VAV Supply PIR Min. Air Flow	%	2806	4x2807	0	10000	Zone 19 - Min. inlet air quantity with PIR active [1/100 %]
ZoneModule 19 - VAV Supply 1 Min. Air Flow	%	2807	4x2808	0	10000	Zone 19 - Min. inlet air quantity, VAV damper 1 [1/100 %]
ZoneModule 19 - VAV Supply 1 Max. Air Flow	%	2808	4x2809	0	10000	Zone 19 - Max. inlet air quantity, VAV damper 1 [1/100 %]
ZoneModule 19 - VAV Supply 2 Min. Air Flow	%	2809	4x2810	0	10000	Zone 19 - Min. inlet air quantity, VAV damper 2 [1/100 %]
ZoneModule 19 - VAV Supply 2 Max. Air Flow	%	2810	4x2811	0	10000	Zone 19 - Max. inlet air quantity, VAV damper 2 [1/100 %]
ZoneModule 19 - VAV Extract Min. Air Flow	%	2811	4x2812	0	10000	Zone 19 - Min. exhaust air quantity [1/100 %]
ZoneModule 19 - VAV Extract Max. Air Flow	%	2812	4x2813	0	10000	Zone 19 - Max. exhaust air quantity [1/100 %]

NAME	UNIT	ADDRESS	REGISTER	MIN.	MAX.	COMMENTS
ZoneModule 20 - Room Temperature setpoint	°C	2901	4x2902	500	3500	Zone 20 - Setpoint for room temperature [1/100 °C]
ZoneModule 20 - Minimum Supply Temperature	°C	2902	4x2903	1000	3000	Zone 20 - Setpoint for min. inlet temperature [1/100 °C]
ZoneModule 20 - Maximum Supply Temperature	°C	2903	4x2904	1000	6000	Zone 20 - Setpoint for max. inlet temperature [1/100 °C]
ZoneModule 20 - Room CO2 setpoint	ppm	2904	4x2905	100	5000	Zone 20 - Setpoint for CO2 [ppm]
ZoneModule 20 - Room RH setpoint	%	2905	4x2906	0	10000	Zone 20 - Setpoint for relative humidity [1/100 %rh]
ZoneModule 20 - VAV Supply PIR Min. Air Flow	%	2906	4x2907	0	10000	Zone 20 - Min. inlet air quantity with PIR active [1/100 %]
ZoneModule 20 - VAV Supply 1 Min. Air Flow	%	2907	4x2908	0	10000	Zone 20 - Min. inlet air quantity, VAV damper 1 [1/100 %]
ZoneModule 20 - VAV Supply 1 Max. Air Flow	%	2908	4x2909	0	10000	Zone 20 - Max. inlet air quantity, VAV damper 1 [1/100 %]
ZoneModule 20 - VAV Supply 2 Min. Air Flow	%	2909	4x2910	0	10000	Zone 20 - Min. inlet air quantity, VAV damper 2 [1/100 %]
ZoneModule 20 - VAV Supply 2 Max. Air Flow	%	2910	4x2911	0	10000	Zone 20 - Max. inlet air quantity, VAV damper 2 [1/100 %]
ZoneModule 20 - VAV Extract Min. Air Flow	%	2911	4x2912	0	10000	Zone 20 - Min. exhaust air quantity [1/100 %]
ZoneModule 20 - VAV Extract Max. Air Flow	%	2912	4x2913	0	10000	Zone 20 - Max. exhaust air quantity [1/100 %]
ZoneModule 21 - Room Temperature setpoint	°C	3001	4x3002	500	3500	Zone 21 - Setpoint for room temperature [1/100 °C]
ZoneModule 21 - Minimum Supply Temperature	°C	3002	4x3003	1000	3000	Zone 21 - Setpoint for min. inlet temperature [1/100 °C]
ZoneModule 21 - Maximum Supply Temperature	°C	3003	4x3004	1000	6000	Zone 21 - Setpoint for max. inlet temperature [1/100 °C]
ZoneModule 21 - Room CO2 setpoint	ppm	3004	4x3005	100	5000	Zone 21 - Setpoint for CO2 [ppm]
ZoneModule 21 - Room RH setpoint	%	3005	4x3006	0	10000	Zone 21 - Setpoint for relative humidity [1/100 %rh]
ZoneModule 21 - VAV Supply PIR Min. Air Flow	%	3006	4x3007	0	10000	Zone 21 - Min. inlet air quantity with PIR active [1/100 %]
ZoneModule 21 - VAV Supply 1 Min. Air Flow	%	3007	4x3008	0	10000	Zone 21 - Min. inlet air quantity, VAV damper 1 [1/100 %]
ZoneModule 21 - VAV Supply 1 Max. Air Flow	%	3008	4x3009	0	10000	Zone 21 - Max. inlet air quantity, VAV damper 1 [1/100 %]
ZoneModule 21 - VAV Supply 2 Min. Air Flow	%	3009	4x3010	0	10000	Zone 21 - Min. inlet air quantity, VAV damper 2 [1/100 %]
ZoneModule 21 - VAV Supply 2 Max. Air Flow	%	3010	4x3011	0	10000	Zone 21 - Max. inlet air quantity, VAV damper 2 [1/100 %]
ZoneModule 21 - VAV Extract Min. Air Flow	%	3011	4x3012	0	10000	Zone 21 - Min. exhaust air quantity [1/100 %]
ZoneModule 21 - VAV Extract Max. Air Flow	%	3012	4x3013	0	10000	Zone 21 - Max. exhaust air quantity [1/100 %]
ZoneModule 22 - Room Temperature setpoint	°C	3101	4x3102	500	3500	Zone 22 - Setpoint for room temperature [1/100 °C]
ZoneModule 22 - Minimum Supply Temperature	°C	3102	4x3103	1000	3000	Zone 22 - Setpoint for min. inlet temperature [1/100 °C]
ZoneModule 22 - Maximum Supply Temperature	°C	3103	4x3104	1000	6000	Zone 22 - Setpoint for max. inlet temperature [1/100 °C]
ZoneModule 22 - Room CO2 setpoint	ppm	3104	4x3105	100	5000	Zone 22 - Setpoint for CO2 [ppm]
ZoneModule 22 - Room RH setpoint	%	3105	4x3106	0	10000	Zone 22 - Setpoint for relative humidity [1/100 %rh]
ZoneModule 22 - VAV Supply PIR Min. Air Flow	%	3106	4x3107	0	10000	Zone 22 - Min. inlet air quantity with PIR active [1/100 %]
ZoneModule 22 - VAV Supply 1 Min. Air Flow	%	3107	4x3108	0	10000	Zone 22 - Min. inlet air quantity, VAV damper 1 [1/100 %]
ZoneModule 22 - VAV Supply 1 Max. Air Flow	%	3108	4x3109	0	10000	Zone 22 - Max. inlet air quantity, VAV damper 1 [1/100 %]
ZoneModule 22 - VAV Supply 2 Min. Air Flow	%	3109	4x3110	0	10000	Zone 22 - Min. inlet air quantity, VAV damper 2 [1/100 %]
ZoneModule 22 - VAV Supply 2 Max. Air Flow	%	3110	4x3111	0	10000	Zone 22 - Max. inlet air quantity, VAV damper 2 [1/100 %]
ZoneModule 22 - VAV Extract Min. Air Flow	%	3111	4x3112	0	10000	Zone 22 - Min. exhaust air quantity [1/100 %]
ZoneModule 22 - VAV Extract Max. Air Flow	%	3112	4x3113	0	10000	Zone 22 - Max. exhaust air quantity [1/100 %]

NAME	UNIT	ADDRESS	REGISTER	MIN.	MAX.	COMMENTS
ZoneModule 23 - Room Temperature setpoint	°C	3201	4x3202	500	3500	Zone 23 - Setpoint for room temperature [1/100 °C]
ZoneModule 23 - Minimum Supply Temperature	°C	3202	4x3203	1000	3000	Zone 23 - Setpoint for min. inlet temperature [1/100 °C]
ZoneModule 23 - Maximum Supply Temperature	°C	3203	4x3204	1000	6000	Zone 23 - Setpoint for max. inlet temperature [1/100 °C]
ZoneModule 23 - Room CO2 setpoint	ppm	3204	4x3205	100	5000	Zone 23 - Setpoint for CO2 [ppm]
ZoneModule 23 - Room RH setpoint	%	3205	4x3206	0	10000	Zone 23 - Setpoint for relative humidity [1/100 %rh]
ZoneModule 23 - VAV Supply PIR Min. Air Flow	%	3206	4x3207	0	10000	Zone 23 - Min. inlet air quantity with PIR active [1/100 %]
ZoneModule 23 - VAV Supply 1 Min. Air Flow	%	3207	4x3208	0	10000	Zone 23 - Min. inlet air quantity, VAV damper 1 [1/100 %]
ZoneModule 23 - VAV Supply 1 Max. Air Flow	%	3208	4x3209	0	10000	Zone 23 - Max. inlet air quantity, VAV damper 1 [1/100 %]
ZoneModule 23 - VAV Supply 2 Min. Air Flow	%	3209	4x3210	0	10000	Zone 23 - Min. inlet air quantity, VAV damper 2 [1/100 %]
ZoneModule 23 - VAV Supply 2 Max. Air Flow	%	3210	4x3211	0	10000	Zone 23 - Max. inlet air quantity, VAV damper 2 [1/100 %]
ZoneModule 23 - VAV Extract Min. Air Flow	%	3211	4x3212	0	10000	Zone 23 - Min. exhaust air quantity [1/100 %]
ZoneModule 23 - VAV Extract Max. Air Flow	%	3212	4x3213	0	10000	Zone 23 - Max. exhaust air quantity [1/100 %]
ZoneModule 24 - Room Temperature setpoint	°C	3301	4x3302	500	3500	Zone 24 - Setpoint for room temperature [1/100 °C]
ZoneModule 24 - Minimum Supply Temperature	°C	3302	4x3303	1000	3000	Zone 24 - Setpoint for min. inlet temperature [1/100 °C]
ZoneModule 24 - Maximum Supply Temperature	°C	3303	4x3304	1000	6000	Zone 24 - Setpoint for max. inlet temperature [1/100 °C]
ZoneModule 24 - Room CO2 setpoint	ppm	3304	4x3305	100	5000	Zone 24 - Setpoint for CO2 [ppm]
ZoneModule 24 - Room RH setpoint	%	3305	4x3306	0	10000	Zone 24 - Setpoint for relative humidity [1/100 %rh]
ZoneModule 24 - VAV Supply PIR Min. Air Flow	%	3306	4x3307	0	10000	Zone 24 - Min. inlet air quantity with PIR active [1/100 %]
ZoneModule 24 - VAV Supply 1 Min. Air Flow	%	3307	4x3308	0	10000	Zone 24 - Min. inlet air quantity, VAV damper 1 [1/100 %]
ZoneModule 24 - VAV Supply 1 Max. Air Flow	%	3308	4x3309	0	10000	Zone 24 - Max. inlet air quantity, VAV damper 1 [1/100 %]
ZoneModule 24 - VAV Supply 2 Min. Air Flow	%	3309	4x3310	0	10000	Zone 24 - Min. inlet air quantity, VAV damper 2 [1/100 %]
ZoneModule 24 - VAV Supply 2 Max. Air Flow	%	3310	4x3311	0	10000	Zone 24 - Max. inlet air quantity, VAV damper 2 [1/100 %]
ZoneModule 24 - VAV Extract Min. Air Flow	%	3311	4x3312	0	10000	Zone 24 - Min. exhaust air quantity [1/100 %]
ZoneModule 24 - VAV Extract Max. Air Flow	%	3312	4x3313	0	10000	Zone 24 - Max. exhaust air quantity [1/100 %]
ZoneModule 25 - Room Temperature setpoint	°C	3401	4x3402	500	3500	Zone 25 - Setpoint for room temperature [1/100 °C]
ZoneModule 25 - Minimum Supply Temperature	°C	3402	4x3403	1000	3000	Zone 25 - Setpoint for min. inlet temperature [1/100 °C]
ZoneModule 25 - Maximum Supply Temperature	°C	3403	4x3404	1000	6000	Zone 25 - Setpoint for max. inlet temperature [1/100 °C]
ZoneModule 25 - Room CO2 setpoint	ppm	3404	4x3405	100	5000	Zone 25 - Setpoint for CO2 [ppm]
ZoneModule 25 - Room RH setpoint	%	3405	4x3406	0	10000	Zone 25 - Setpoint for relative humidity [1/100 %rh]
ZoneModule 25 - VAV Supply PIR Min. Air Flow	%	3406	4x3407	0	10000	Zone 25 - Min. inlet air quantity with PIR active [1/100 %]
ZoneModule 25 - VAV Supply 1 Min. Air Flow	%	3407	4x3408	0	10000	Zone 25 - Min. inlet air quantity, VAV damper 1 [1/100 %]
ZoneModule 25 - VAV Supply 1 Max. Air Flow	%	3408	4x3409	0	10000	Zone 25 - Max. inlet air quantity, VAV damper 1 [1/100 %]
ZoneModule 25 - VAV Supply 2 Min. Air Flow	%	3409	4x3410	0	10000	Zone 25 - Min. inlet air quantity, VAV damper 2 [1/100 %]
ZoneModule 25 - VAV Supply 2 Max. Air Flow	%	3410	4x3411	0	10000	Zone 25 - Max. inlet air quantity, VAV damper 2 [1/100 %]
ZoneModule 25 - VAV Extract Min. Air Flow	%	3411	4x3412	0	10000	Zone 25 - Min. exhaust air quantity [1/100 %]
ZoneModule 25 - VAV Extract Max. Air Flow	%	3412	4x3413	0	10000	Zone 25 - Max. exhaust air quantity [1/100 %]